

C/O PULSANT. 21,5" A MEMBRANA (1635)

FRONTE PORTA (1636)

INTERNO PORTA (1637)

CASSONE E PARTI (1638)

MOTOR-REDUCTOR GRUPO CAFE' (483)

COMPONENTES DESENGANCHE VASOS (628)

TOLVA CAFE' CAPACIDAD 3,7 kg. (632)

COMPONENTES CALDERA (922)

COMPONENTES EL-VALV. 3 VIAS OLAB (930)

CONJ. DOSIFICADOR CAFE (964)

GR 3 E.V. 24V DC 2 VIE (116)

CONJ. MOLINILLO LEI400 (1069)

VANO ELABORACION (1062)

SCATOLE DOSATRICI (1639)

ASPIRATORE & PARTI DI COMPLETAMENTO (1640)

ASS. MASCHERE MIXER (1641)

BOMBA AGUA & CONTADOR VOLUMETRICO (1235)

CONJ. SOPORTE GRUPO DE CAFÉ LEI600 (1292)

C/O MACINADOS. SUPP. SCATOLE LEI600 EASY/SMART(1642)

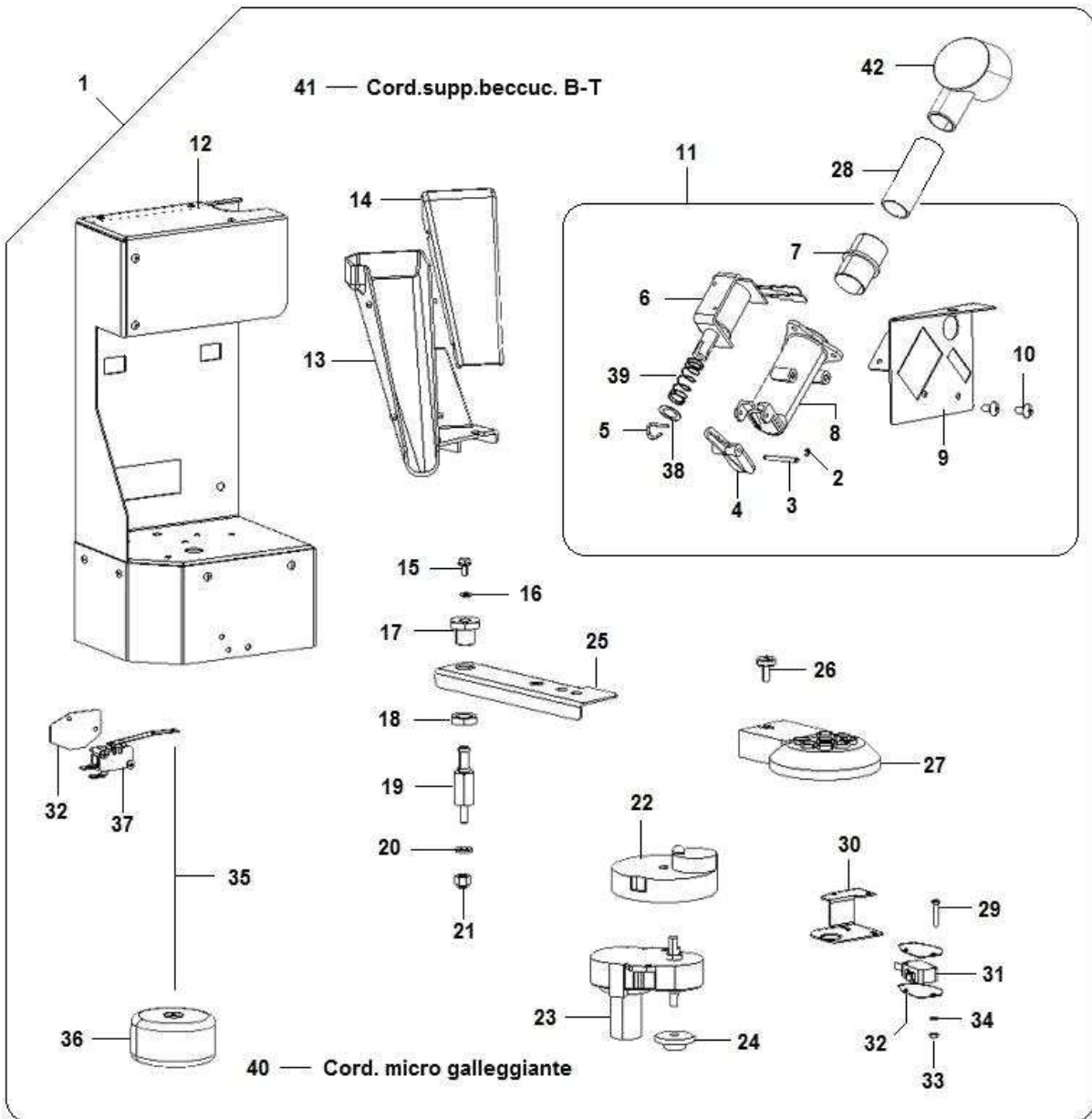
C/O COLUMNNA DESNGANCHE VASOS (1287)

CONJ. PANEL ELETTRICO LEI 600 (1286)

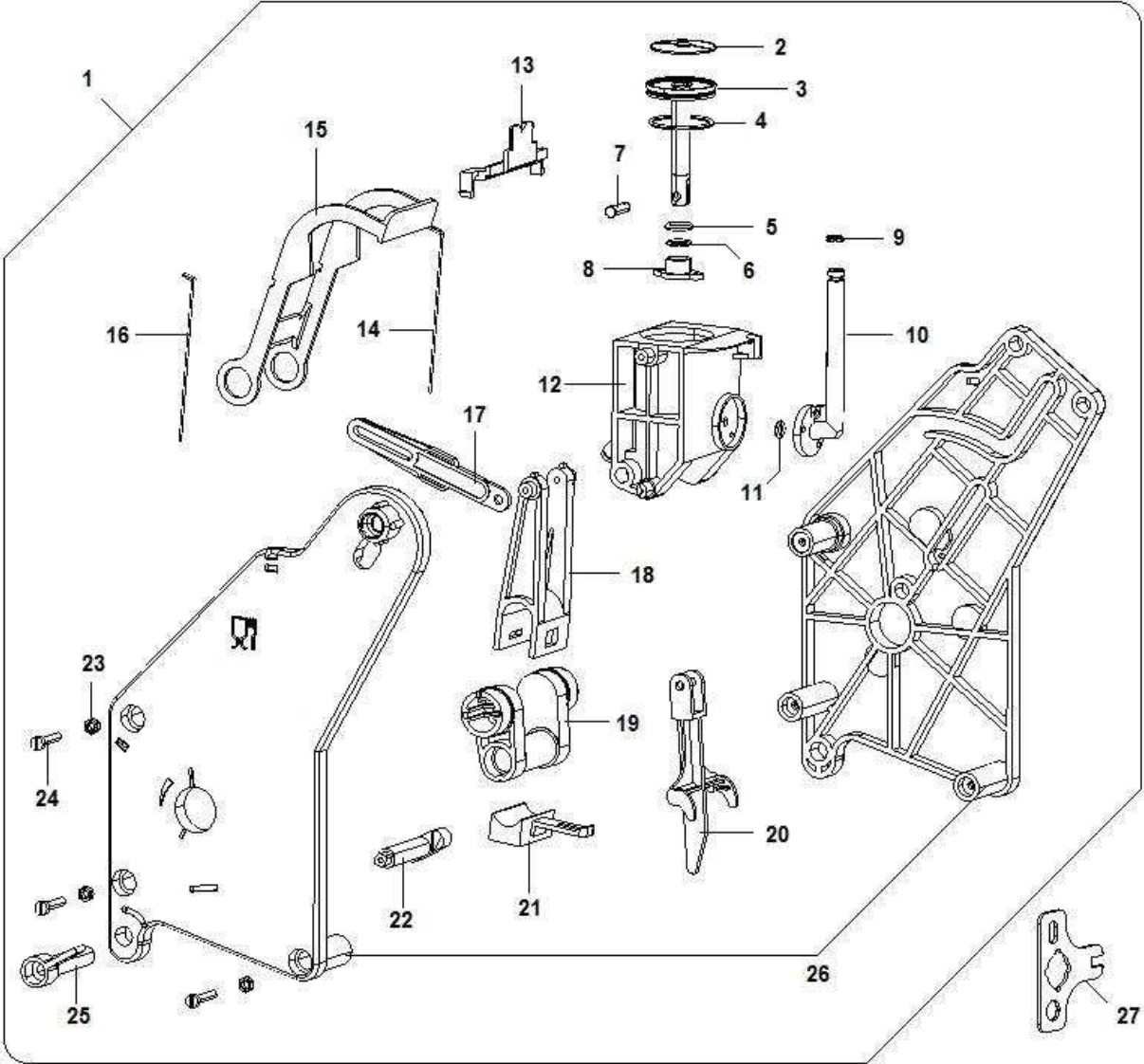
CONJUNTO PISTON(7)

INTRO E RECUPERO MONETA (1643)

COMPONENTI SCATOLA DOS. ORZO/DEC (1644)

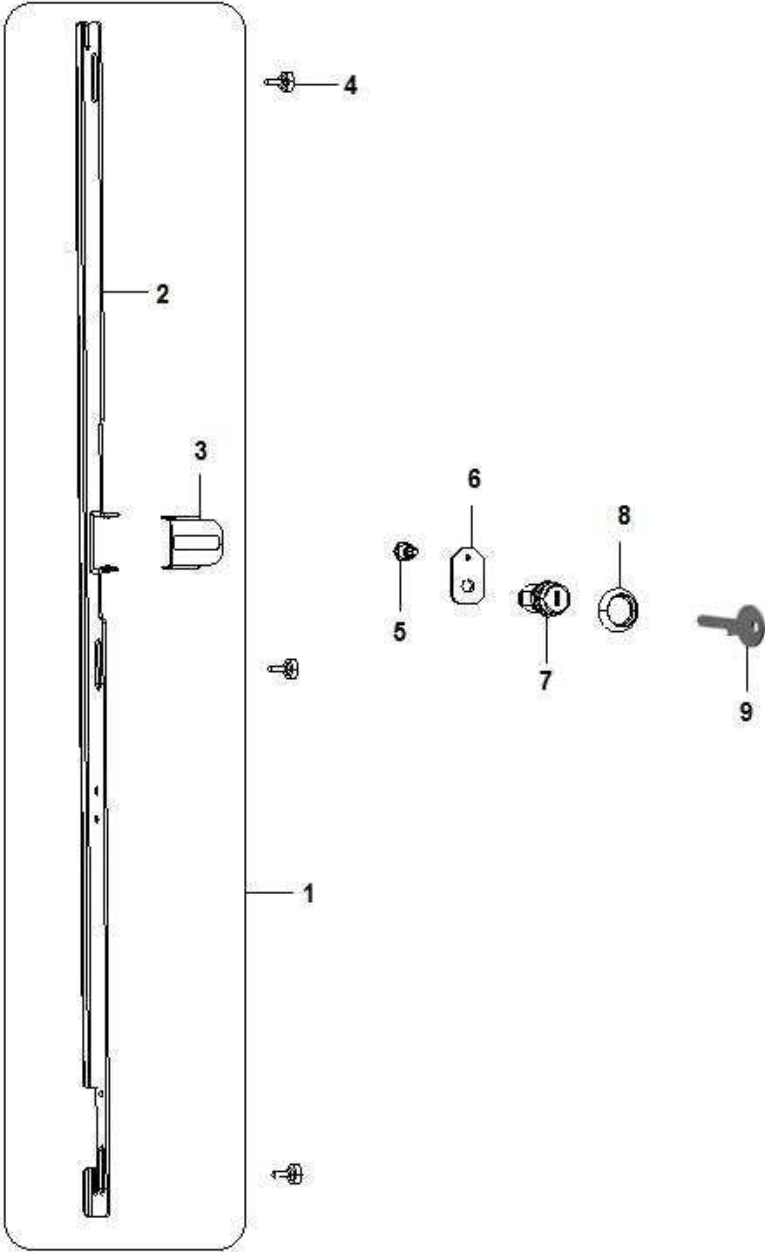


| Pos. | Referencia     | Descripción                        |
|------|----------------|------------------------------------|
| 0001 | 96077810-01    | LEI400 sugar nozzles arm assy      |
| 0002 | 37000816       | anillo seeger                      |
| 0003 | 00110823       | PERNIO FULCRO PALANCA TANQUE       |
| 0004 | 05123715       | leva dosificador                   |
| 0005 | 00110824       | anillo para electromagnete         |
| 0006 | 20008946       | electroiman 15% 24V DC             |
| 0007 | 05096215       | curva para tubo azucar             |
| 0008 | 05104715-02M37 | pestaña erogacion azucar           |
| 0009 | 06050011       | LEI400 powder funnel support plate |
| 0010 | 32346536       | d.9 3,9*9,5 zn screw               |
| 0011 | 96077710CL     | CONJ.SOP.EROGAC.AZÚCAR.LEI400      |
| 0012 | 06049612-01    | ASS.BRACCIO UGELL/ZUCCH.LEI400     |
| 0013 | 05137925       | RAMPA AZUCAR MARRÓN ANTARES        |
| 0014 | 05138025       | TAPÓN RAMPA AZUCAR MARRÓN ANT.     |
| 0015 | 32050416       | tornillo m 4x8                     |
| 0016 | 35157616       | arandela plana ø 4,3 ac.           |
| 0017 | 19057411       | anillo brazo picos                 |
| 0018 | 04014111       | hexagonal nut 1/4GAS               |
| 0019 | 19057311-04    | PIERNO BRAZO BOQUILLAS ANTARES     |
| 0020 | 35155416       | arandela plana d.6,4 zin.          |
| 0021 | 34110416       | tuerca es.6MA                      |
| 0022 | 05089715M37    | cama traccion. picos               |
| 0023 | 20018826       | MOTORID.24V.2 PALOS .2,2NF 100V    |
| 0024 | 05110715       | cama micro                         |
| 0025 | 01509811-01    | BRAZO SOPORTE BOQUILLA ANTARES     |
| 0026 | 19043521       | sujetador                          |
| 0027 | 05089925-02M37 | pestaña superior 8 POS. PA66       |
| 0028 | 09027653-01    | TUBO PVC CRIST.SZ.20X26 FDA        |
| 0029 | 32025816       | tornillo tc 3ma x 18 zin.          |
| 0030 | 01630021       | ESCUADRA SOPORTE MICRO             |
| 0031 | 26005126       | micro con rueda xgm281s20          |
| 0032 | 08004111       | aislante micro                     |
| 0033 | 34102716       | tuerca es.M3                       |
| 0034 | 35160216       | arandela dent.d.3,2                |
| 0035 | 22021116       | hilo de nylon d.0,80               |
| 0036 | 05074412       | CONJ. FLOTACIÓN                    |
| 0037 | 26013726       | micro para demasiado lleno         |
| 0038 | 35156626       | arandela plana d.9,2 ot.           |
| 0039 | 07016911       | resorte dosificador azucar         |
| 0040 | 22130312       | cordón micro flotante              |
| 0041 | 22111312       | cableado soporte picos bt.         |
| 0042 | 05123015M37    | boca x azucar                      |



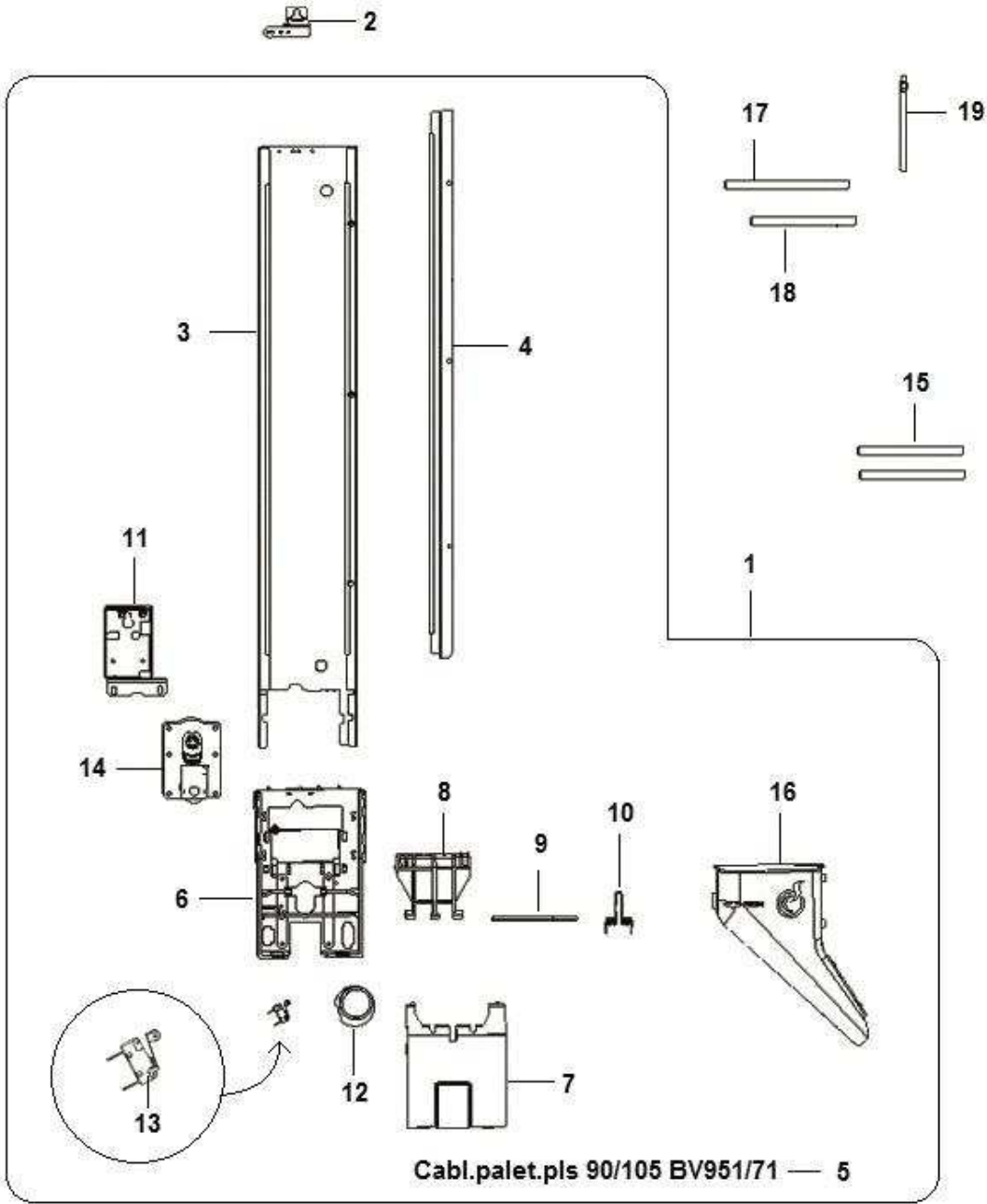


| Pos. | Referencia  | Descripción                           |
|------|-------------|---------------------------------------|
| 0001 | 95007450M09 | GR-CAFÉ PLS-NB ANTICAL ST.DS DB NEGRO |
| 0002 | 16012021    | filtro x grupo cafe                   |
| 0003 | 05161225M06 | ASTA EXPULSIÓN GR.CAFÉ 2 FOROS GRIS   |
| 0004 | 36363116    | oring 2118 SH70 viton                 |
| 0005 | 36212716    | or 3037 SH70 viton                    |
| 0006 | 36211916    | guarnic. OR 2037 viton                |
| 0007 | 05107525M09 | ROBLÓN GRUPO CAFÉ DS.NEGRO            |
| 0008 | 05106725M09 | BRUJULA X VASOS GRUPO CAFÉ DS NEGRO   |
| 0009 | 36351316    | guarn.X-ring pip.gr.cafè              |
| 0010 | 05106825M09 | TUBITO X VASOS GRUPO CAFÉ DS.NEGRO    |
| 0011 | 36210916    | guarnic. OR 2021 viton                |
| 0012 | 05106625M09 | VASO GRUPO CAFÉ DB NEGRO              |
| 0013 | 05133525M09 | DISTANC.ESPALDAS GR-CAFÉ DS NEGRO     |
| 0014 | 07017921    | resorte izquierda                     |
| 0015 | 05107025M09 | ESPATULA GRUPO CAFÉ DS.NEGRO          |
| 0016 | 07017911    | resorte derecha                       |
| 0017 | 05107425M09 | brazo de traccion                     |
| 0018 | 05107125M09 | BIELA GRUPO CAFÉ DB NEGRO             |
| 0019 | 05107625M09 | MANIJA GRUPO CAFÉ DB                  |
| 0020 | 05148325M09 | vara de filtro                        |
| 0021 | 05107225M09 | estribo                               |
| 0022 | 05107925M09 | ASTILLA BLOQUEO GRUPO CAFÉ DS NEGRO   |
| 0023 | 34102836    | tuerca es. 4ma ix.                    |
| 0024 | 32060936    | tornillo tc 4ma x 20 ix.              |
| 0025 | 05107825M09 | PAL.BLOQUEO GRUPO CAFÉ DS NEGRO       |
| 0026 | 43123920    | conj espalda delantera/trasera        |
| 0027 | 01475411-01 | llave para rotacion grupo             |

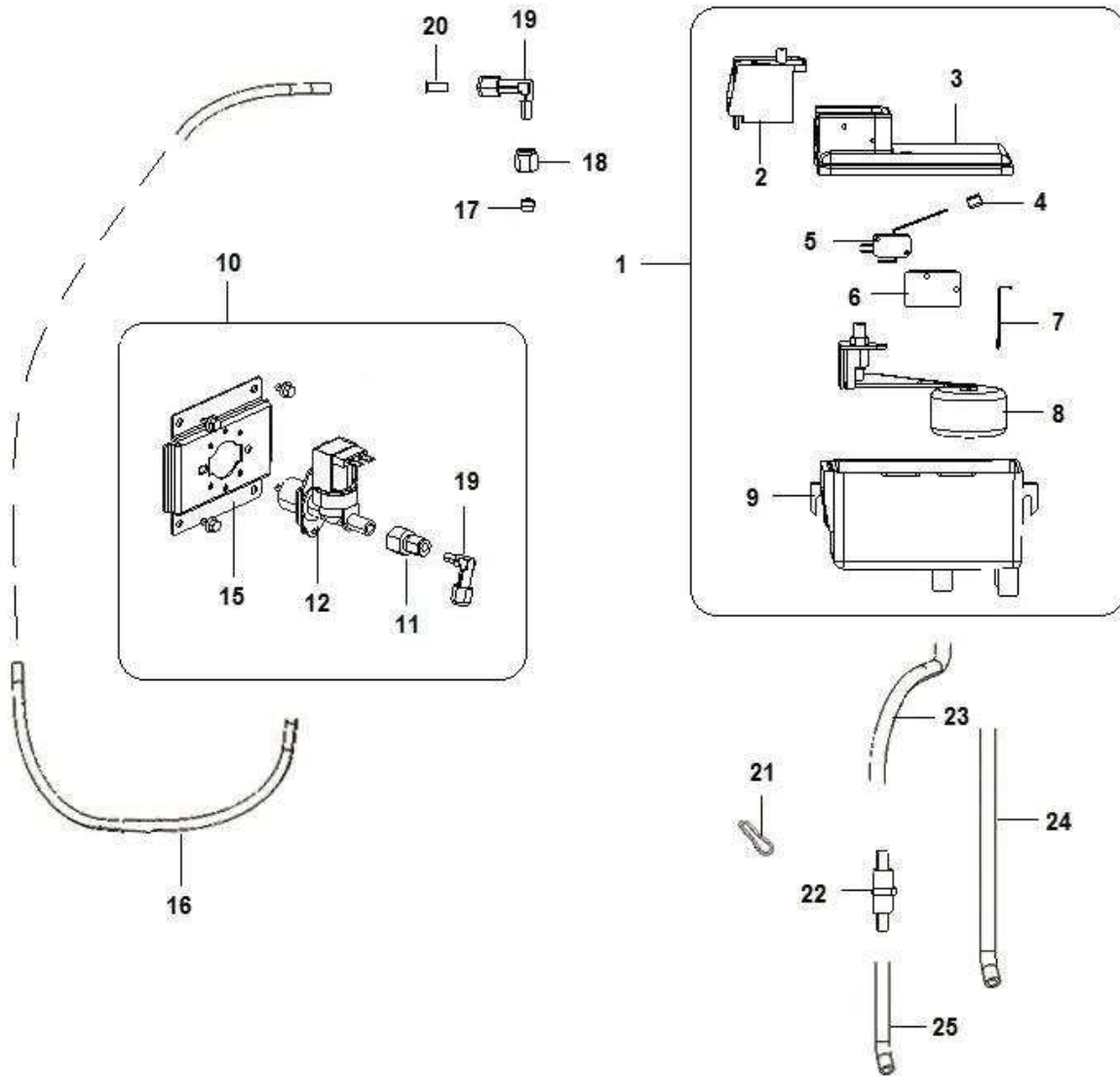


| Pos. | Referencia  | Descripción                        |
|------|-------------|------------------------------------|
| 0001 | 01857370    | LEI400 plate door lock rod assy    |
| 0002 | 01826131    | ASTA CIERRE PUERTA                 |
| 0003 | 01826251    | LEI400 plate door moving rod plate |
| 0004 | 19055521    | TORNILLO X ASTA CERRADURA          |
| 0005 | 12016116-01 | DRAWER WHEEL PIN                   |
| 0006 | 01768221-02 | GANCHO CERRADURA RIELDA BVM971     |
| 0007 | 41029616    | cerradura Rielda                   |
| 0008 | 19126521    | Lock protection M.M.               |
| 0009 | 41029836    | llave serr. RIELDA para EM         |

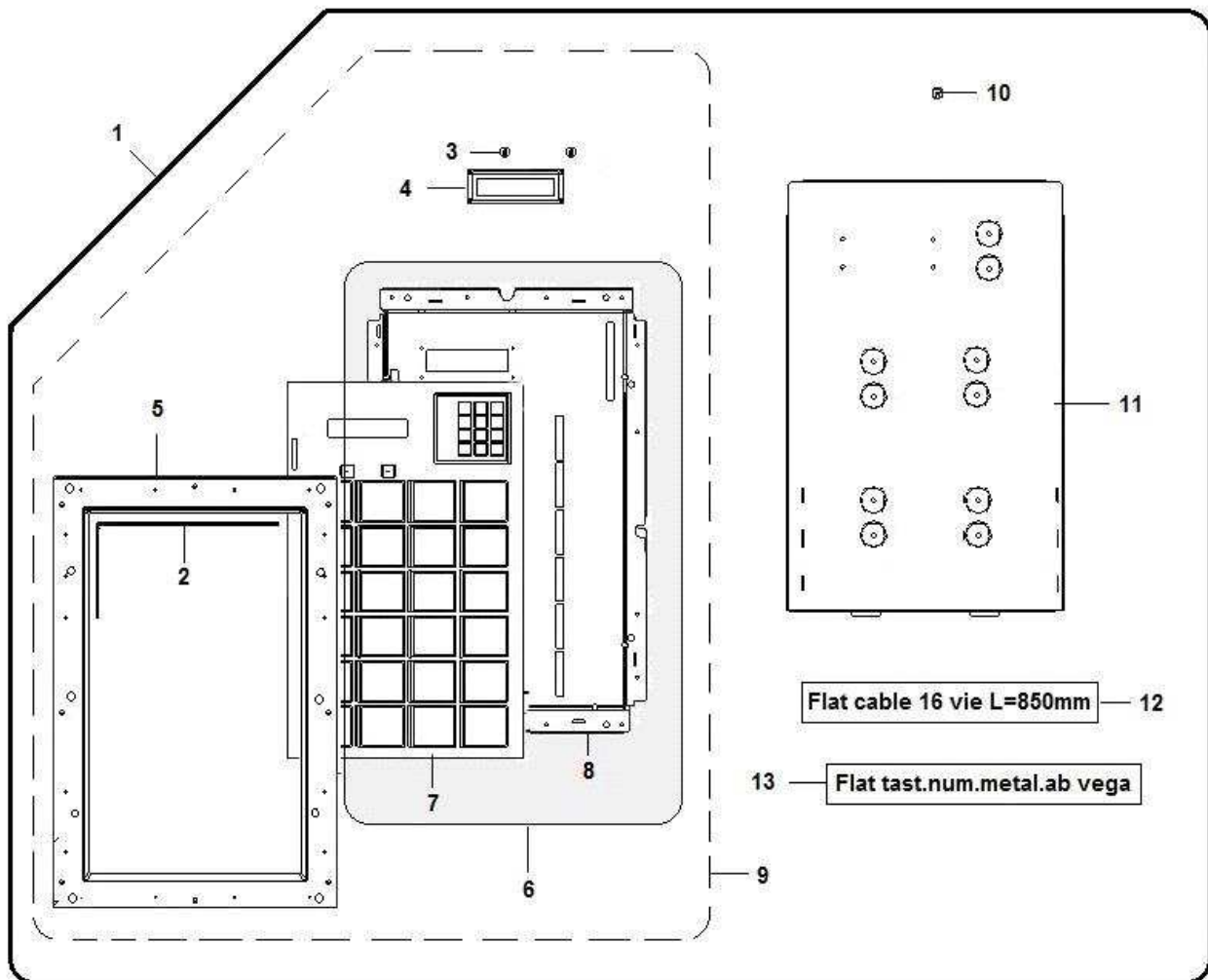




| Pos. | Referencia     | Descripción                              |
|------|----------------|--|
| 0001 | 91017910-01    | CONJ. DIS.PALIT.LEI700BV                 |
| 0002 | 01840021       | LEI400 plate door spoon dispenser square |
| 0003 | 01837711-05    | CONTENEDOR PALITOS L= 90-150             |
| 0004 | 01837811-05    | Spoon dispenser spacer L=90              |
| 0005 | 22180132       | sp.disp.cable 90/105 BV951/971           |
| 0006 | 05241315-03M05 | CAJA PORTA PALITOS GRIS                  |
| 0007 | 05241615M05    | TAPA CAJA PALETERA GRIS                  |
| 0008 | 05149015-02M37 | expulsor paletinas iris es               |
| 0009 | 19059811-01    | PALO EXPULS.PALITOS IRIS                 |
| 0010 | 07021731       | MUELLE PAL. D.1,3 90/105 C/PIÉ           |
| 0011 | 01839912-01    | IVS SPOON DISP.FRAME W/INSERTS           |
| 0012 | 05241515-03M00 | CAMA DE MOVIMENTAC. PALETERA             |
| 0013 | 26029626       | microint. bt pres.agua v.k               |
| 0014 | 20020926-03    | MOTORIDUCT.24DC 25RPM C/ESPALDA          |
| 0015 | 12047111       | CILINDRO PARA PALETERA                   |
| 0016 | 05241415-02M00 | desliz. palet.caída der. bv951           |
| 0017 | 12013611-02    | peso para paletinas 105                  |
| 0018 | 12004611-02    | peso para paletinas                      |
| 0019 | 24023010       | spoon weight magnet                      |

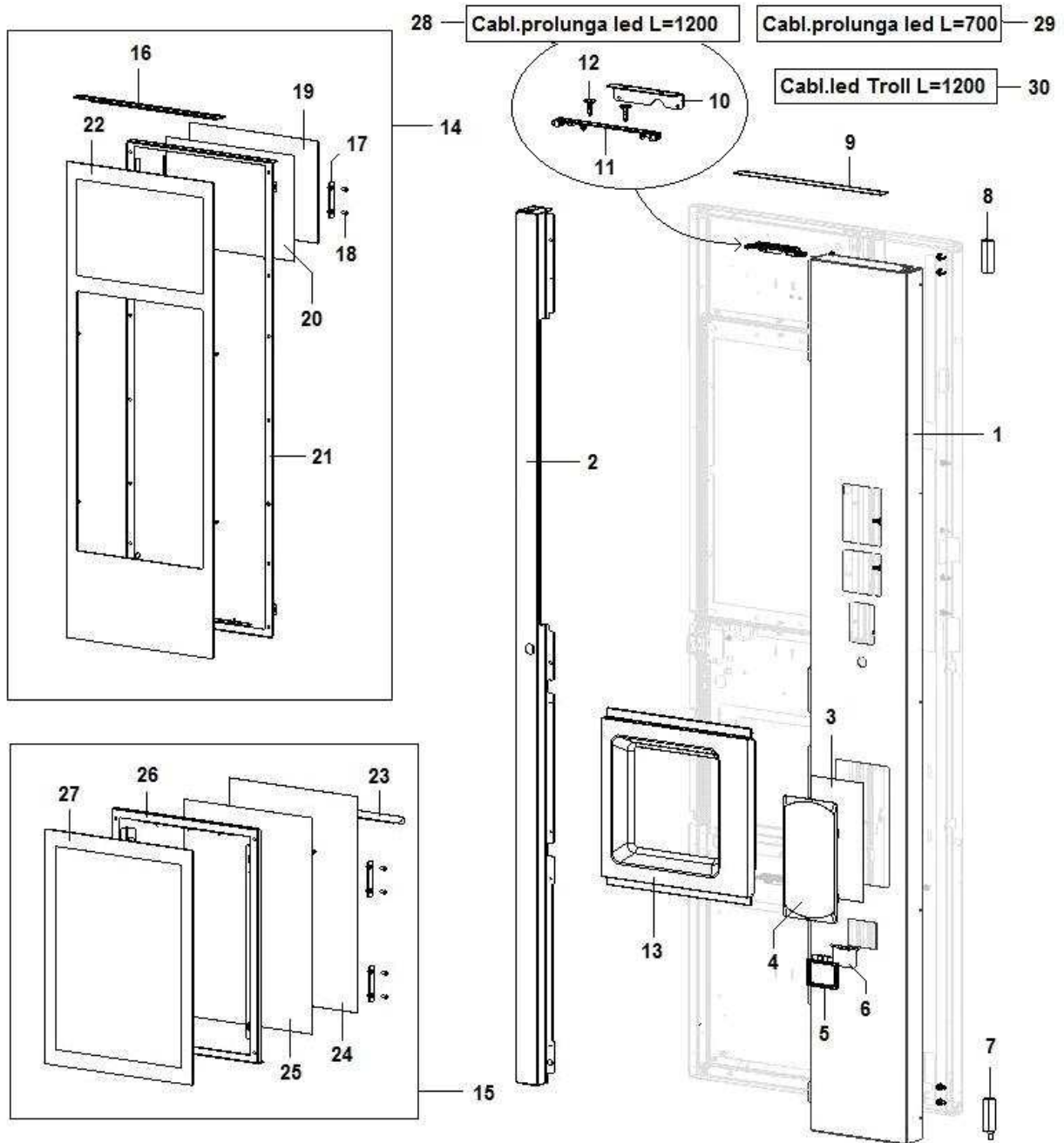


| Pos. | Referencia  | Descripción                         |
|------|-------------|-------------------------------------|
| 0001 | 93008420    | CONJ. PILA AGUA CON 1 MICRO BT      |
| 0002 | 41023716    | soporte válvula flotante            |
| 0003 | 41024016    | cobertura                           |
| 0004 | 41024116    | soporte guia micro v.kenta          |
| 0005 | 41024316    | microint. bt pres.agua v.k          |
| 0006 | 41024516    | piatrina aislante plastico          |
| 0007 | 41023616    | palanquita inox                     |
| 0008 | 16017916    | valvula flotante completa           |
| 0009 | 41023916    | recipiente                          |
| 0010 | 25039220-01 | CONJ.SOP.E-VALV.LEI700 STD          |
| 0011 | 04035526    | codo directo art.234 6-1/4          |
| 0012 | 25000166    | electroválv.ingr. agua 24VDC        |
| 0015 | 01978811-02 | SOP.EV UNIVERSAL EN AGUA            |
| 0016 | 09110016-01 | TUBO PTFE 6X4 CALIBRADO PMAX 68 BAR |
| 0017 | 19046526    | anillo de refuerzo. art.24          |
| 0018 | 04035626    | tuerca para codo orient             |
| 0019 | 04033236    | codo orient.                        |
| 0020 | 19004326    | anillo de refuerzo.art.247          |
| 0021 | 07010711    | freno                               |
| 0022 | 16014316    | filtro agua fi-952                  |
| 0023 | 09029753-01 | TUBO SIL.SZ.8X12 TRANSP.            |
| 0024 | 09027623-01 | TUBO PVC CRIST.SZ.12X16 FDA         |
| 0025 | 09029763-01 | tubo silicon 5x9 transparente       |



| Pos. | Referencia     | Descripción                              |
|------|----------------|--|
| 0001 | 30292380       | C/O PULSANT. 21,5" A MEMBRANA BV C/COPER |
| 0002 | 39001916       | GUARNICIÓN TECLADO SILIC.NEGRO           |
| 0003 | 33085416       | distanc. x plaqueta L=10                 |
| 0004 | 26047936       | NEW DISPLAY 16X2 CABLE 650MM             |
| 0005 | 05330611       | LEI500 - 650 keypad frame                |
| 0006 | 30292622       | LEI500 membrane keypad assy              |
| 0007 | 30292031       | "TECLADO 21.5"" A MEMBRANA BV"           |
| 0008 | 06135012-05    | SOP.CHAPA TECLADO MEMBRANA CON PEM       |
| 0009 | 30298520       | ASS. PMTG PULSANT. 21.5" MEMBRANA BV     |
| 0010 | 19043521       | sujetador                                |
| 0011 | 06133641-01P77 | CARTER PROTEZ.PULSANT.SAW DISPLAY GRAFIC |
| 0012 | 22175422-01    | FLAT CABLE 16 VIE L=850MM                |
| 0013 | 22170812       | FLAT TECLADO NUM.METAL.AB VEGA           |

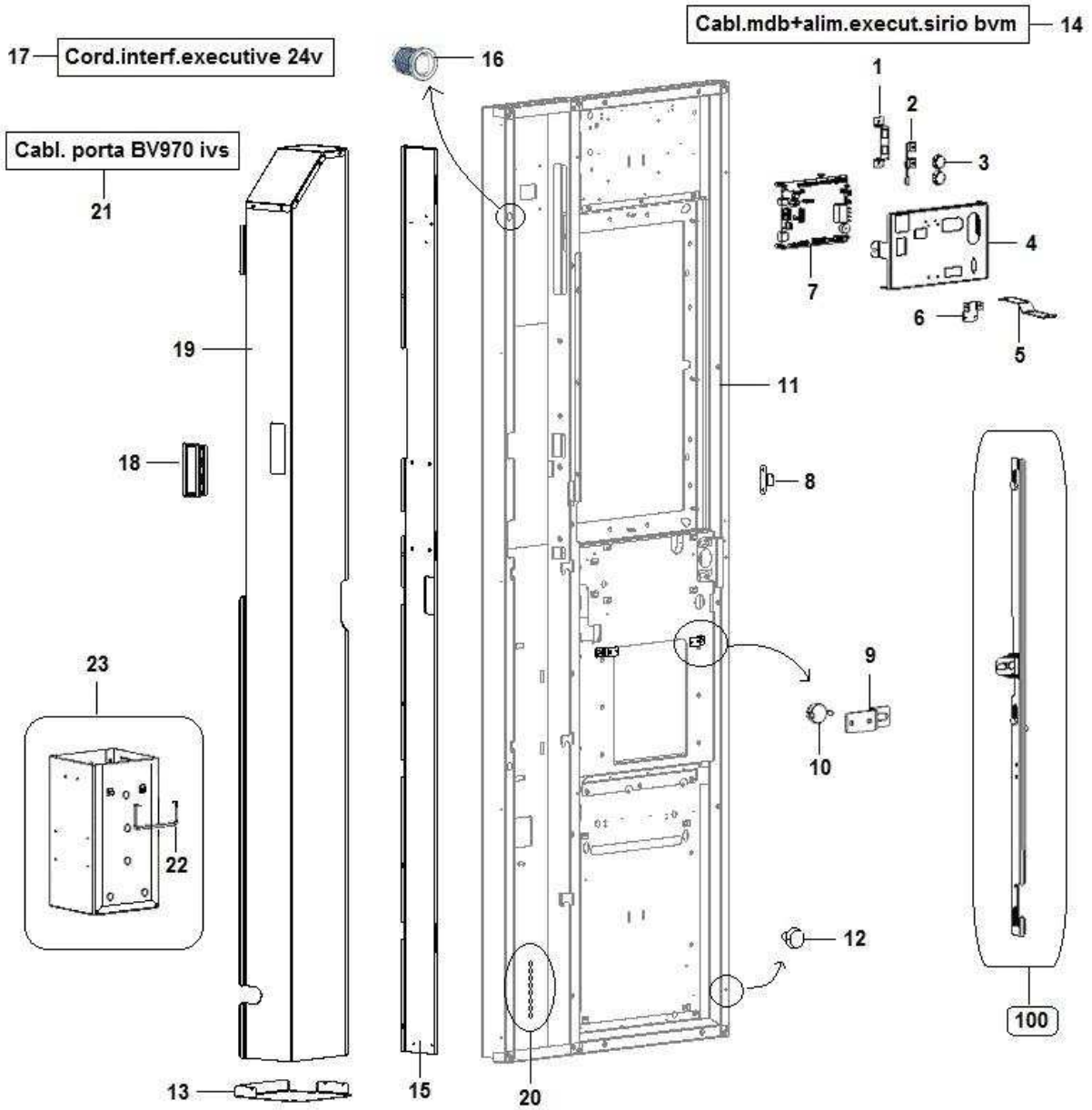
**FRONTE PORTA (1636)**



| Pos. | Referencia     | Descripción                              |
|------|----------------|--|
| 0001 | 06224511P09    | LEI400 plate door skirting board         |
| 0002 | 06224411P09    | LEI400 plate door skirting board         |
| 0003 | 30263821       | CART.NEGROXVITRINA.INFER.BV223X118,5     |
| 0004 | 05232625M00    | VITRINA BVM951/971 H=230 MM              |
| 0005 | 05328115M09    | coin recovery frame black                |
| 0006 | 05083115-01M09 | PUERTA.RECUP MONEDAS NEGRO               |
| 0007 | 21011042       | CONJ.BLOQUE X CREMALLERA.BV971 IVS       |
| 0008 | 21010941-01    | BLOQUE X CREMALLERA.BV971 IVS            |
| 0009 | 06101311P09    | LEI400 plate door upper aesthetic cover  |
| 0010 | 06120811-01    | LEI400 flat door led stripe support      |
| 0011 | 26057846       | barra 6 LED lux fría                     |
| 0012 | 33066326       | CRCBSRE-3-01 boards spacer               |
| 0013 | 05306715-01M09 | MARCO VANO EROGACION LEI400 PP           |
| 0014 | 43152160       | LEI600 PP upper lexan frame assy         |
| 0015 | 43152170       | LEI600 PP upper lexan frame assy         |
| 0016 | 06127821P09    | Upper lexan cover                        |
| 0017 | 06225912-01    | LEI400 plate door lower opaline stop     |
| 0018 | 32060516       | TORNILLO TC 4MAX10 ZN                    |
| 0019 | 05331211       | LEI400 plain door lower lexan            |
| 0020 | 30296711       | BACKLITE SUP LEI600E-S 2015              |
| 0021 | 06226912       | ASS. TELAIO LEXAN SUP C/INSERTI LEI600 E |
| 0022 | 05331022       | coin recovery frame black                |
| 0023 | 06095531ZNC    | LEI400 RT 2mixers mask assy              |
| 0024 | 05330911       | LEI400 plain door lower lexan            |
| 0025 | 30296421       | BACKL INF LEI400/600 E-S 2015            |
| 0026 | 06226412-01    | coin recovery frame black                |
| 0027 | 05331012       | coin recovery frame black                |
| 0028 | 22199512       | extension cable LED L=1200               |
| 0029 | 22199532       | LED EXTENSION CABLE L=700                |
| 0030 | 22193712       | CABL.LED TROLL L.1200                    |

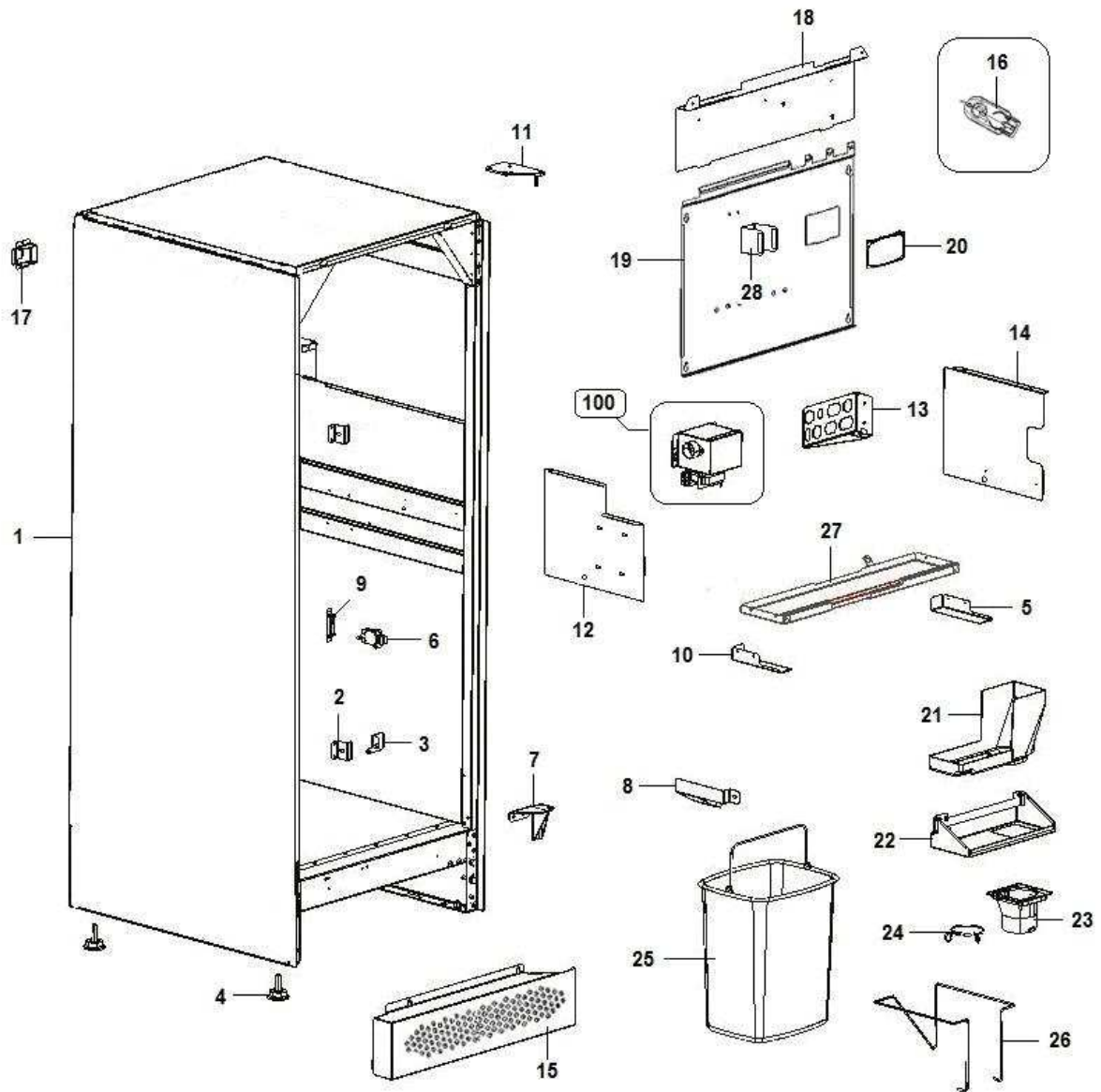


**INTERNO PORTA (1637)**



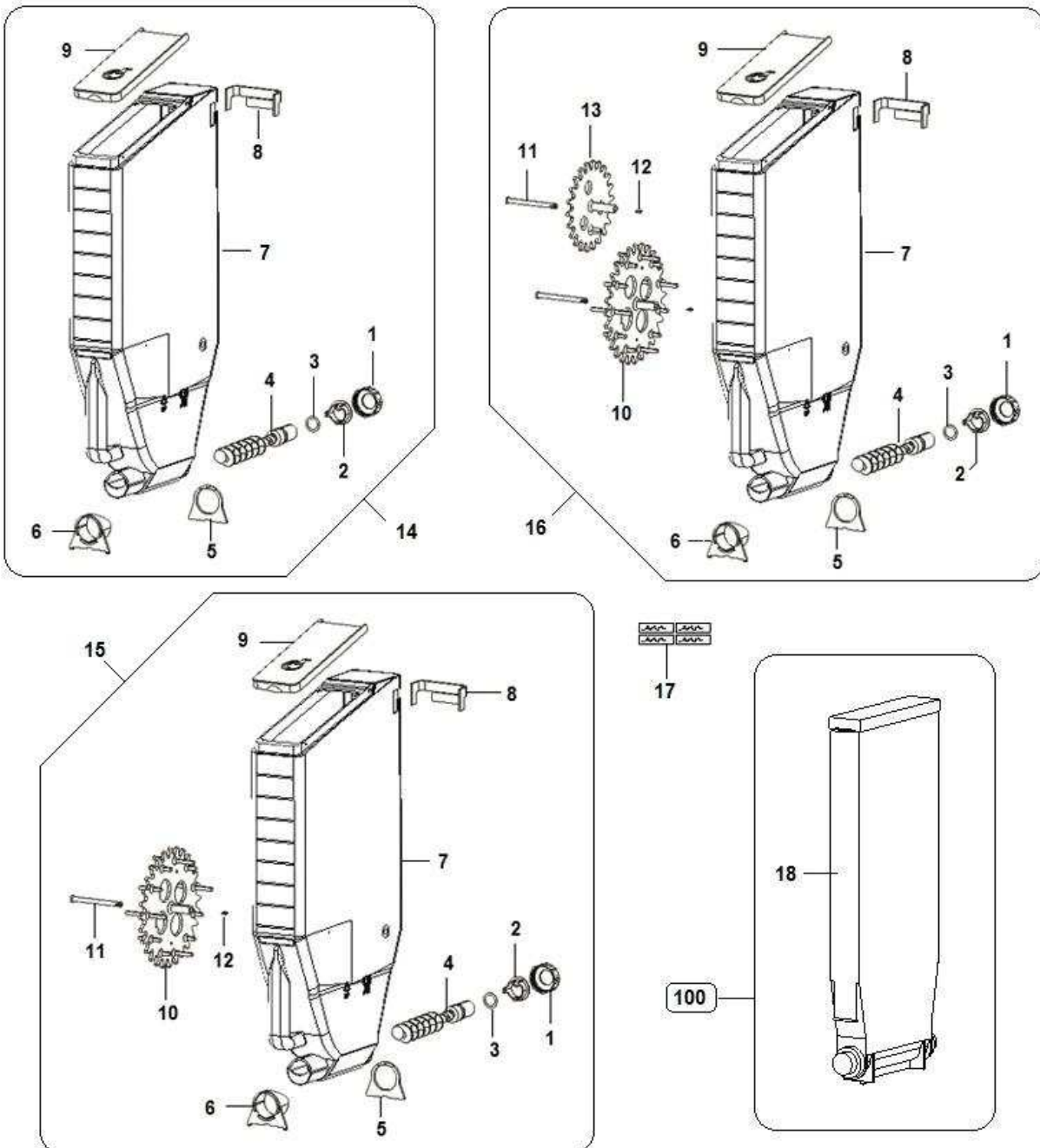
| Pos. | Referencia     | Descripción                            |
|------|----------------|--|
| 0001 | 01641411       | ANT-IMQ service button support         |
| 0002 | 26019482       | CONJ.BOTON DE SERVICIO SIN CAP         |
| 0003 | 05232315M18    | pulsador rojo                          |
| 0004 | 01812211-07    | COPE. SCHEDA CPU TROLL cod. MP0681AA   |
| 0005 | 01812631       | LEI400 PP CUPS TURRET RETAINER         |
| 0006 | 01812931       | LEI400PP CUPS TURRET RETAINER BRACKET  |
| 0007 | 26027336-04    | placa CPU SMT roja c/micro256K         |
| 0008 | 01827311-02    | placa interruptor BV971                |
| 0009 | 01930311       | soporte damper                         |
| 0010 | 33072916-01    | RALENTIZADOR FRICCIONADO BV931         |
| 0011 | 06223912-01    | ASS. TELAIO COMPLETO LEI600 EASY/SMART |
| 0012 | 00104883       | paragolpes                             |
| 0013 | 06004331-02    | LEI400 pay system protect. base        |
| 0014 | 22172312       | CABL.MDB+ALIM.EXECUT.SIRIO BVM         |
| 0015 | 06225711-01ZNC | LEI400 RT 2mixers mask assy            |
| 0016 | 20022316       | MAGNETO REONDO XREGE.VANO VASOS        |
| 0017 | 22084222-01    | cable interfase ejecutivo              |
| 0018 | 05238516       | MANIJA PLS SOUTHCO BVM 971 IVS         |
| 0019 | 06197532       | LEI400 RT 2mixers mask assy            |
| 0020 | 21015816       | Chainlet assy                          |
| 0021 | 22177812-01    | BV970 IVS door wiring                  |
| 0022 | 12028011       | coin box handle                        |
| 0023 | 06123710       | CAJA MON.CON MANIJA Y BUJE             |

**CASSONE E PARTI (1638)**



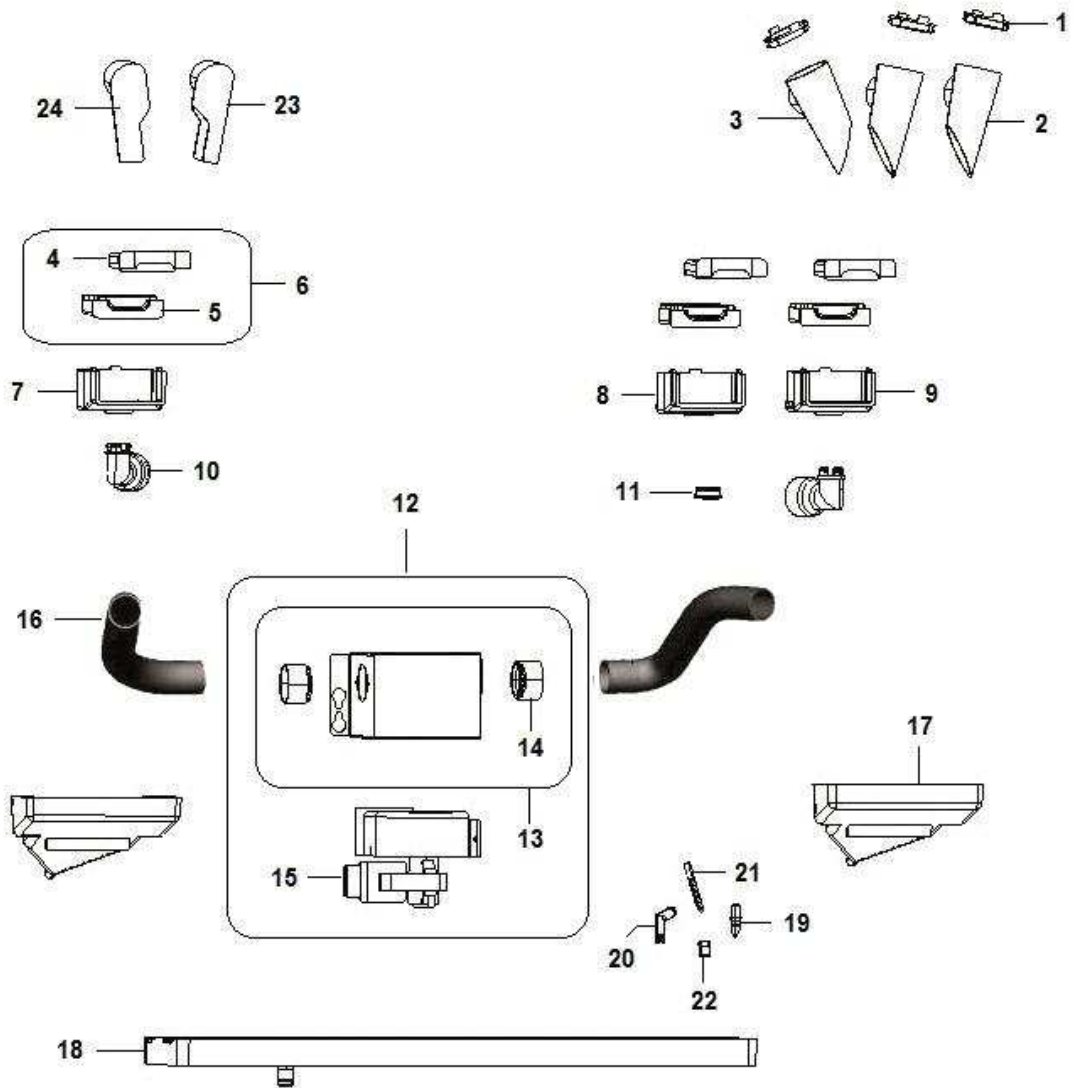
| Pos. | Referencia     | Descripción                        |
|------|----------------|------------------------------------|
| 0001 | 06012612-07P77 | LEI600 EXP. cabinet assy           |
| 0002 | 01828111-02    | PERNIO CERRADURA BV971 IVS         |
| 0003 | 01882911       | tray spinning plate                |
| 0004 | 21057212       | conj.pie regul M10x40 BVM971       |
| 0005 | 06003111       | right tray support LEI400 ES       |
| 0006 | 26016726       | interr.de segurid. XTD22AZ         |
| 0007 | 01823011-01    | PERNIO INFERIOR BVM971 IVS         |
| 0008 | 01834511-03    | Drain pipes guide                  |
| 0009 | 01844011       | ESCUADRA SOPORTE MICRO INTERRUPTOR |
| 0010 | 06003011       | left tray support LEI400 ES        |
| 0011 | 01931612       | Hinge with welded pin              |
| 0012 | 06066131ZNC    | LEI400 LT flank reinforcing carter |
| 0013 | 01828411-02    | plate for connectors BV971 IVS     |
| 0014 | 01899111-01    | CARTER LADO DER. ANE 29 GG         |
| 0015 | 06113821P09    | LEI400 plate door skirting board   |
| 0016 | 05301915M84    | LLAVE DE SERVICIO VERDE P367C      |
| 0017 | 01890411       | Cable power supply box             |
| 0018 | 06007411-01ZNC | cover for electr box LEI 600       |
| 0019 | 06007541-01ZNC | back cover LEI600 ES               |
| 0020 | 05233715M00    | tablòn superior transp BVM951      |
| 0021 | 05157415-01M09 | transportador Iris negro           |
| 0022 | 06003621-01ZNC | waste bucket support LEI400ES      |
| 0023 | 05168115-02M09 | enganche bolsa de resi iris        |
| 0024 | 21056016-01    | MUELLE X SACO FONDOS D.68MM        |
| 0025 | 05137316       | balde reforzado                    |
| 0026 | 07034421       | MEULLE PARA CUBO LEI400            |
| 0027 | 06010012-03    | middle shelf assy LEI400 ES        |
| 0028 | 06198611ZNC    | LEI400 plate door skirting board   |

**SCATOLE DOSATRICI (1639)**



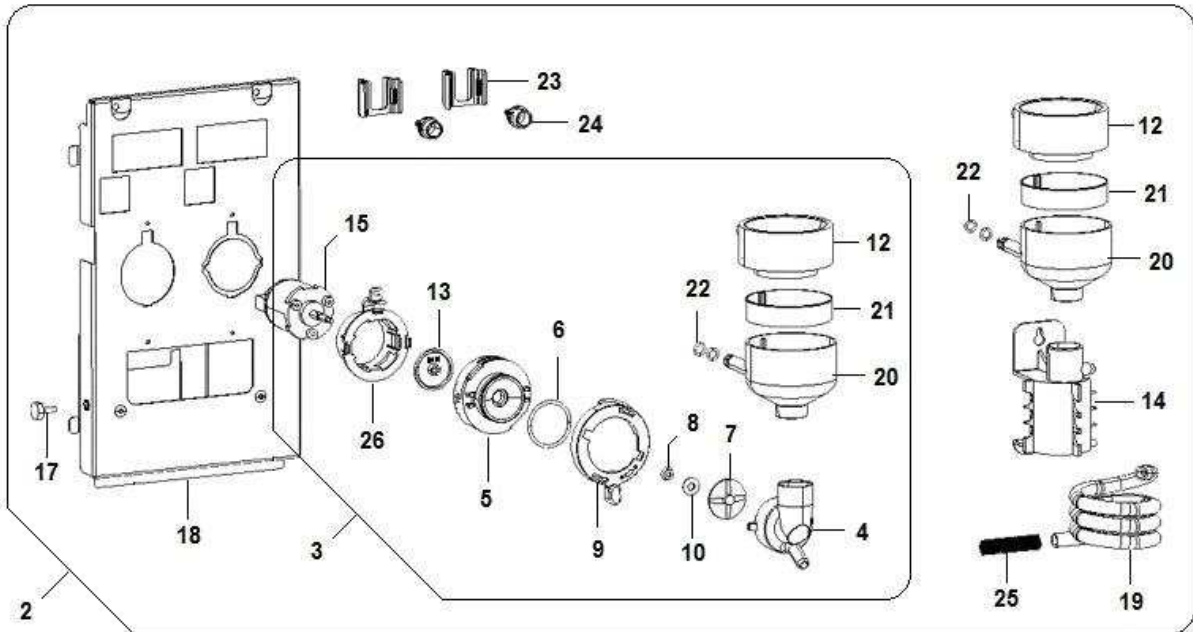
| Pos. | Referencia     | Descripción                       |
|------|----------------|-----------------------------------|
| 0001 | 05277815M00    | COLLARÍN                          |
| 0002 | 05277615M79    | BUJE                              |
| 0003 | 36364016       | OR 3068 NBR60S                    |
| 0004 | 05277915-01M79 | COCLEA                            |
| 0005 | 05280915M79    | PIÉ POSTERIOR                     |
| 0006 | 05280815-02M79 | PIÉ ANTERIOR                      |
| 0007 | 05277555M00    | product canist H495 18,5nozzle    |
| 0008 | 05292415M79    | Rear hook product canist          |
| 0009 | 05277715M79    | TAPA CAJA                         |
| 0010 | 05112215-02    | rueda dent. principal             |
| 0011 | 05133115-01    | eje para rueda                    |
| 0012 | 05160215       | TACO PIERNO CAJAS                 |
| 0013 | 05112315-01    | secondary cogwheel for caniste    |
| 0014 | 96073540       | CONJ. TOLVA PROD.CD H505 SR B18.5 |
| 0015 | 96073550       | CONJ. TOLVA PROD.CD H505 1R B18.5 |
| 0016 | 96073560       | CONJ. TOLVA PROD.CD H505 2R B18.5 |
| 0017 | 30064911-01    | Batcher box PVC labels            |
| 0018 | 96095010       | BVM300 dosing box w/out cover     |

# ASPIRATORE & PARTI DI COMPLETAMENTO (1640)

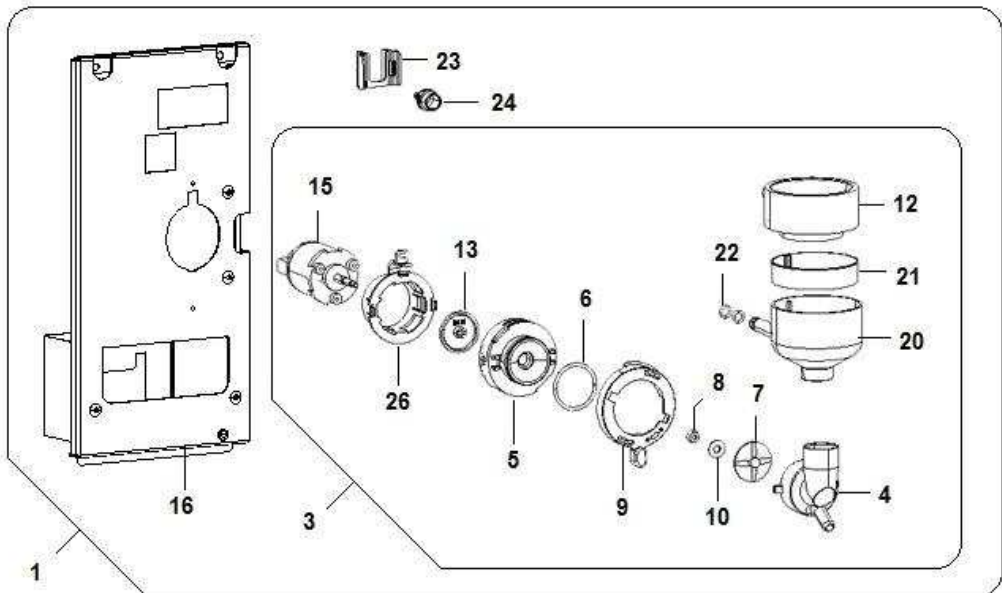


| Pos. | Referencia     | Descripción                   |
|------|----------------|-------------------------------|
| 0001 | 05160415-02M37 | tapa color marron             |
| 0002 | 05160655       | embudo polvo der L=101 maron  |
| 0003 | 05160665       | embudo polvo izq. L=101 maron |
| 0004 | 05247715M37    | tapa caja aspir sing. BV931   |
| 0005 | 05247615M37    | base caja aspir. sing BV931   |
| 0006 | 05248310       | CONJ.CAJÓN ASPIRACIÓN BV931   |
| 0007 | 05245715M09    | camara singula cerrada        |
| 0008 | 05245735M09    | camara asp. sing. derecha     |
| 0009 | 05245745M09    | camara singula izquierda      |
| 0010 | 05248115-02M09 | recor tubo aspiración         |
| 0011 | 05248215M37    | tapa camara aspiración        |
| 0012 | 01831310-02    | BV971 IVS aspirator assy      |
| 0013 | 06014312       | aspirator box assy            |
| 0014 | 05071915       | BOQUILLA ASPIRANTE            |
| 0015 | 20006356       | ASPIRAD.952/972 C/DISTANC.    |
| 0016 | 09031113       | tb leviflex sz.28x33          |
| 0017 | 05117415M37    | recipiente sop.batidor 2      |
| 0018 | 05245615-01M09 | vasca desperdicios liquidos   |
| 0019 | 05096035       | picos erog. marón             |
| 0020 | 05089815-03M37 | picos erogacion a codo maron  |
| 0021 | 05099715-01    | pico capillare L=48           |
| 0022 | 05099615       | anillo pico capillare         |
| 0023 | 05331311       | pipa izq. 38*70 c2s           |
| 0024 | 05331411       | pipa izq. 38*70 c2s           |

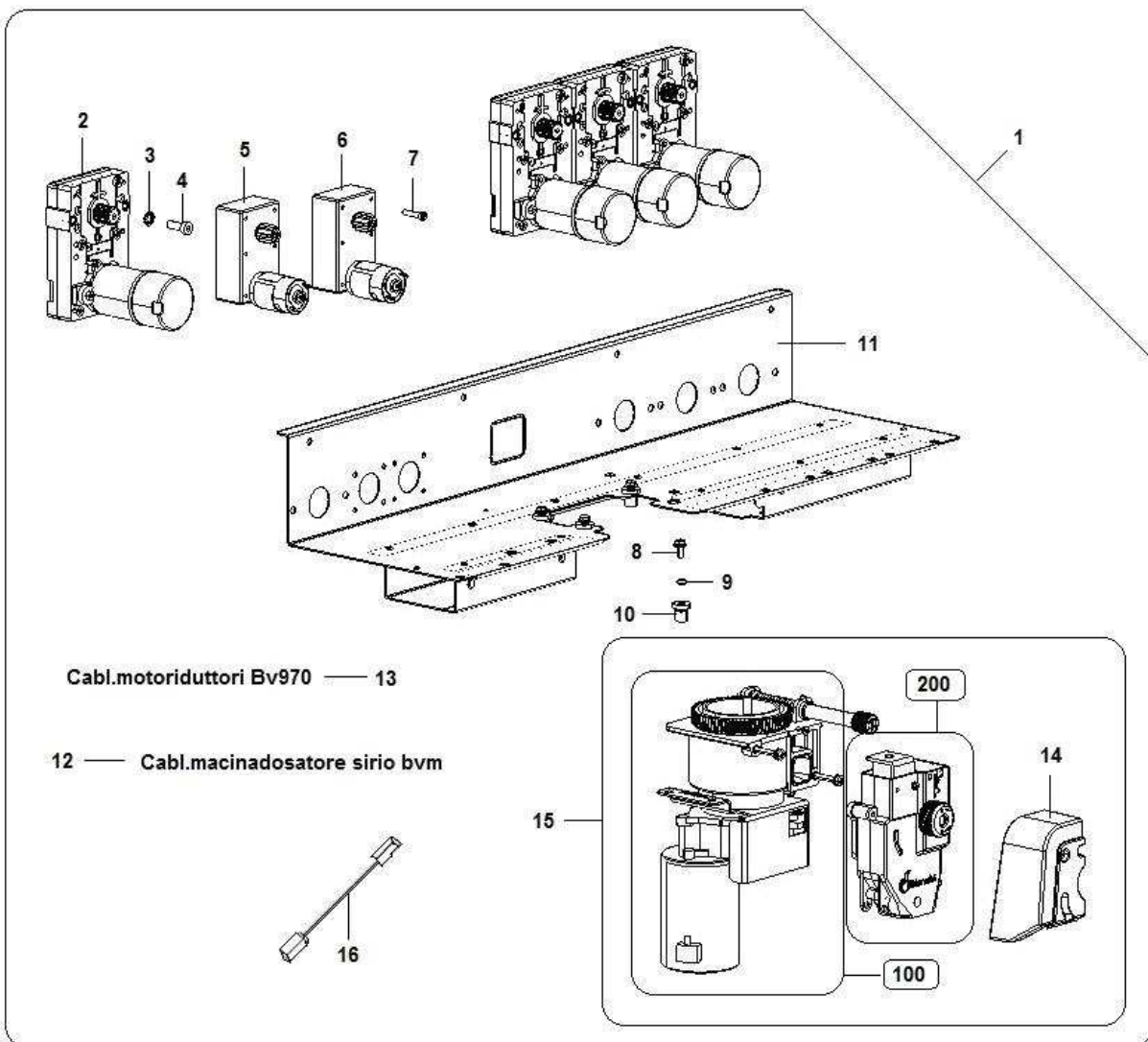




11 — Cabl. motofr + copp.risc. Lei 400

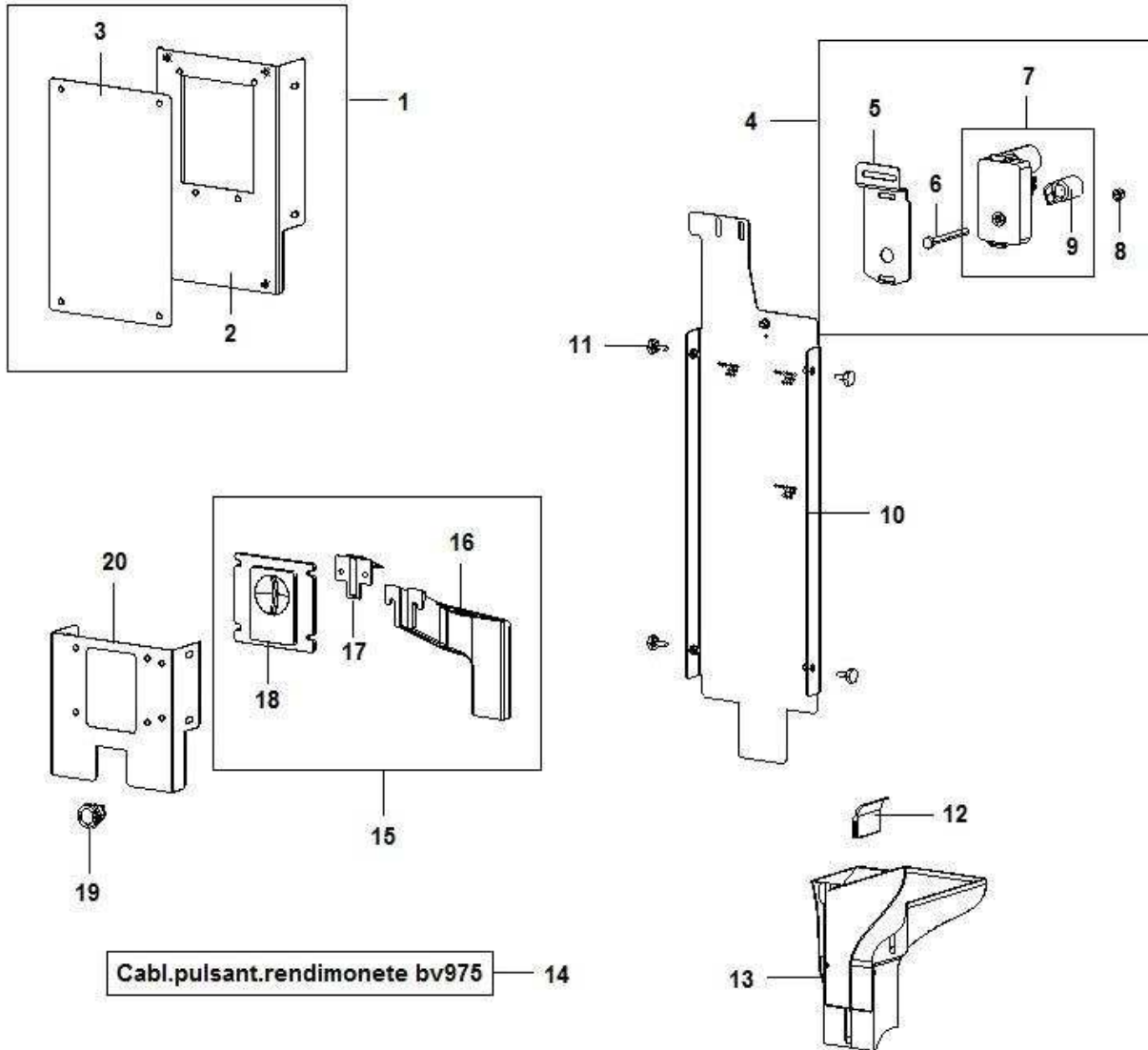


| Pos. | Referencia     | Descripción                              |
|------|----------------|--|
| 0001 | 96074140CL     | C/O MASC.MX SING.NO/RIS.LEI4/600E EASY/S |
| 0002 | 96074020-02CL  | LEI400 double mixer mask assy            |
| 0003 | 43126810M37    | CONJ.NUEV.MIX MC C/COLL+COB,MAR          |
| 0004 | 05111625       | camara mezcla (bianchi) maron            |
| 0005 | 05243112       | CONJ.PESTANA SOP.CÁMARA                  |
| 0006 | 36210716       | guarnic. OR 3131 sil.                    |
| 0007 | 05111825       | girante copa precalentad.                |
| 0008 | 36351215       | guarnición Vseal verde                   |
| 0009 | 05240915M37    | flange bloque cámara                     |
| 0010 | 35155236       | ARANDELA-PLANA D.4,3X9X0,8 IX            |
| 0011 | 22200212       | LEI400mixer+heat.chamber cable           |
| 0012 | 05113825       | TAPA ASPIRADOR (MEZCLAD. BIA) MARRÓN     |
| 0013 | 05154015       | disco proteccion                         |
| 0014 | 05141815-01M37 | Brown tea serpentine support             |
| 0015 | 20020016-01    | batidor 24V DC sin cable                 |
| 0016 | 06006732       | LEI400 LT single mixer mask              |
| 0017 | 19055521       | TORNILLO X ASTA CERRADURA                |
| 0018 | 06006822-01    | LEI400 RT 2mixers mask assy              |
| 0019 | 09087843-02    | tubo silicon marron 7x11                 |
| 0020 | 05113745       | copa mezcla sprint L=10                  |
| 0021 | 05132425       | COLLAR VASOS-MEZCLA MARRÓN               |
| 0022 | 36203816       | O-Ring 106 6,75/1,78                     |
| 0023 | 05159025M37    | soporte inserto palito                   |
| 0024 | 05132525       | CODO R-GOMA TB 3X5 MARRÓN                |
| 0025 | 07017711       | resorte serpentina te                    |
| 0026 | 05241115-01M37 | brida soporte motor                      |

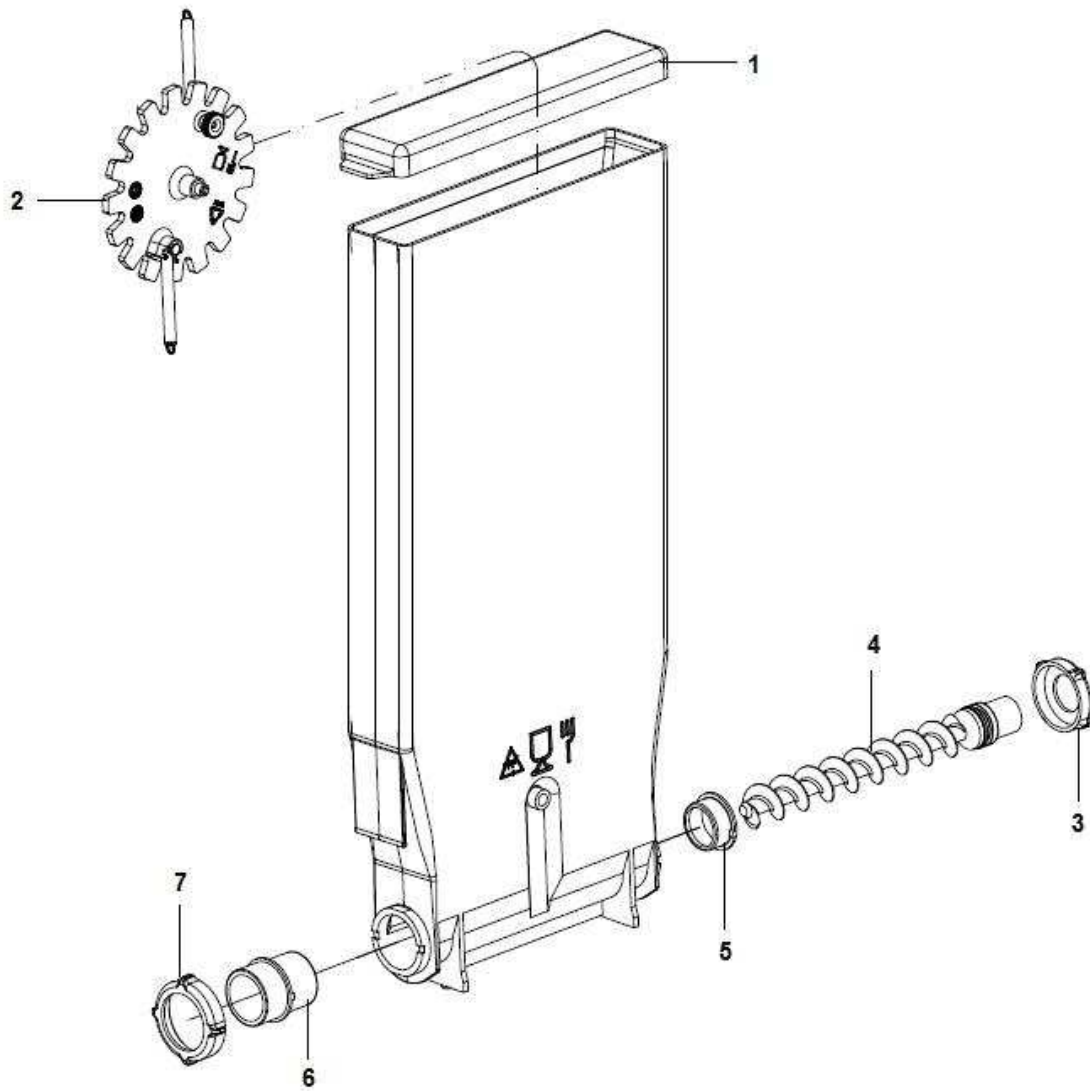


| Pos. | Referencia    | Descripción                         |
|------|---------------|-------------------------------------|
| 0001 | 96094010-01CL | grind dos canist supp assy 600      |
| 0002 | 20017026      | MOTORID.24VDC 100 G/M S/CAB         |
| 0003 | 35160516      | arandela dent.Ø 6,2                 |
| 0004 | 32135526      | TORNILLO TCEI/B DIN7984 6MAX16      |
| 0005 | 20049316-01   | MOTORID.24DC- 50RPM-A16U -263D4050D |
| 0006 | 20049416-01   | MOTORID.24DC- 90RPM-A16U -263D4090D |
| 0007 | 32010736      | TORNILLO A/F 4,0X20 TCB UNI9707     |
| 0008 | 32090636      | tornillo te 5ma x 18 ix.            |
| 0009 | 35160416      | arandela dent.d.5,2 br.             |
| 0010 | 19119116-01   | INSETO M5 EN GOMA                   |
| 0011 | 01967652      | gearmotor box supp assy LEI400      |
| 0012 | 22171512-01   | grinderdoser cable BVM              |
| 0013 | 22178112-01   | BV970 IVS gearmotors cable          |
| 0014 | 05301615M37   | CARTER MUELA DOSIFICADOR CAFÉ       |
| 0015 | 96057670-02   | CONJ. MOLINILLO DOSIFICADOR LEI400  |
| 0016 | 22126622      | PROTEC.MOT.MAC.AMETEK FAST.4,8      |

## INTRO E RECUPERO MONETA (1643)

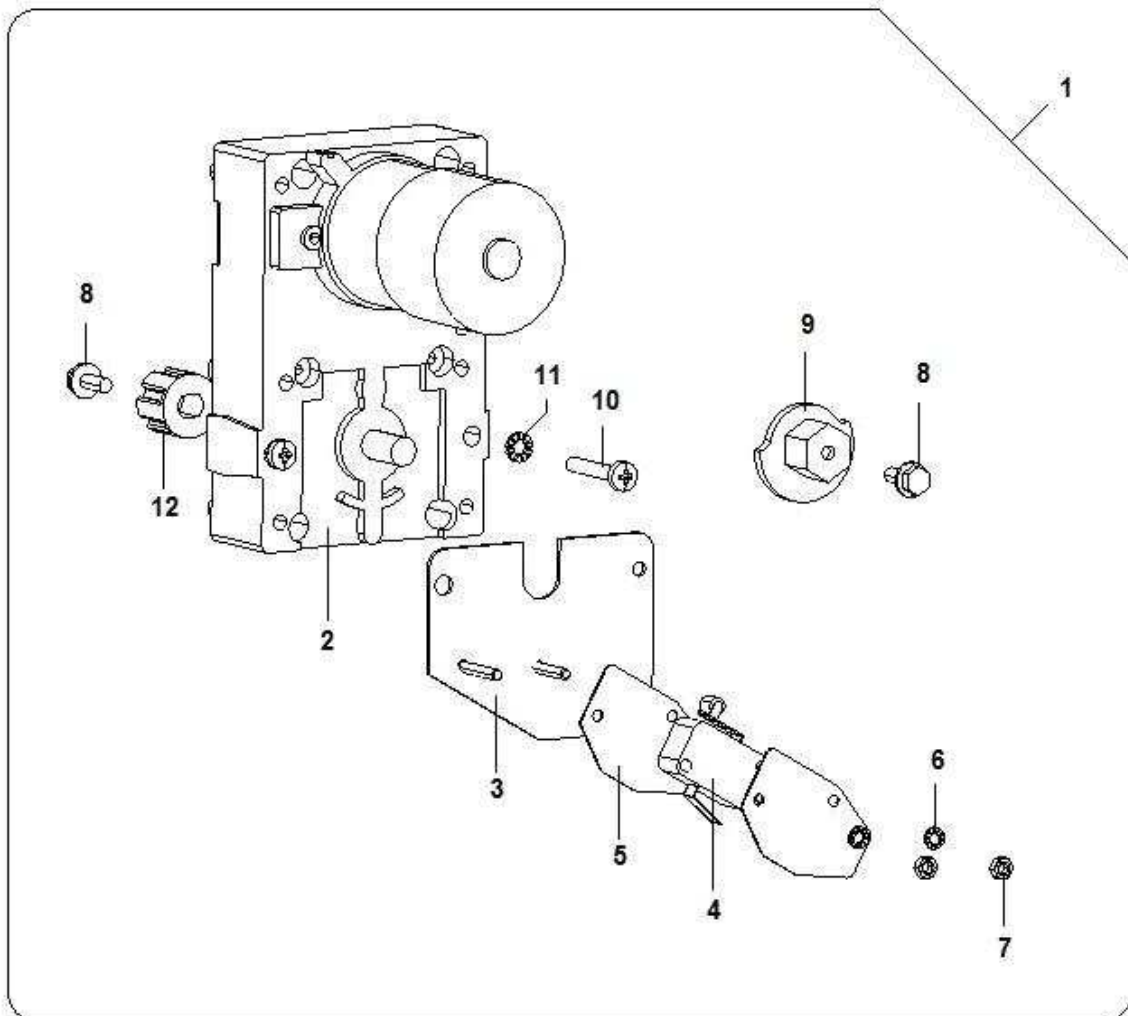


| Pos. | Referencia     | Descripción                          |
|------|----------------|--------------------------------------|
| 0001 | 06225010       | LEI400 plate door skirting board     |
| 0002 | 06224912       | LEI400 plate door skirting board     |
| 0003 | 06224712       | LEI400 plate door skirting board     |
| 0004 | 96065520-01    | CONJ.MOTOR.MONEDERO.BVM951/971       |
| 0005 | 01799011-03    | SOP. MOTORÍN CAMBIADOR               |
| 0006 | 32126616       | TE 6MAX60 ZN UNI-5739 screw          |
| 0007 | 20031216-01    | CAVO RX-TX SENSORE L=1000mm          |
| 0008 | 34110416       | tuerca es.6MA                        |
| 0009 | 05192815-02M78 | CAMA X ACTUADOR DEVUELEVE MON.GRIS   |
| 0010 | 01825812-05    | CONJ.SOPORTE CAJA DE FICHAS BVM972   |
| 0011 | 19055521       | TORNILLO X ASTA CERRADURA            |
| 0012 | 05118241       | proteccion salvatubo                 |
| 0013 | 05233615-01M09 | CONDUCTO RECUPERACIÓN MON. NEGRO     |
| 0014 | 22178712       | BV975 coin return keypad wiring      |
| 0015 | 05322210M09    | M.M. standard coin introduction assy |
| 0016 | 05308915M09    | RAMPA INTR.MONEDAS LEI2CUPS          |
| 0017 | 01807121       | Plastic coin slide cover             |
| 0018 | 05322115M09    | INTERF.SISTEMA DI PAGAMENTO M.M.     |
| 0019 | 26050026       | botón antivandalo LEI 400            |
| 0020 | 06225212       | LEI400 plate door skirting board     |



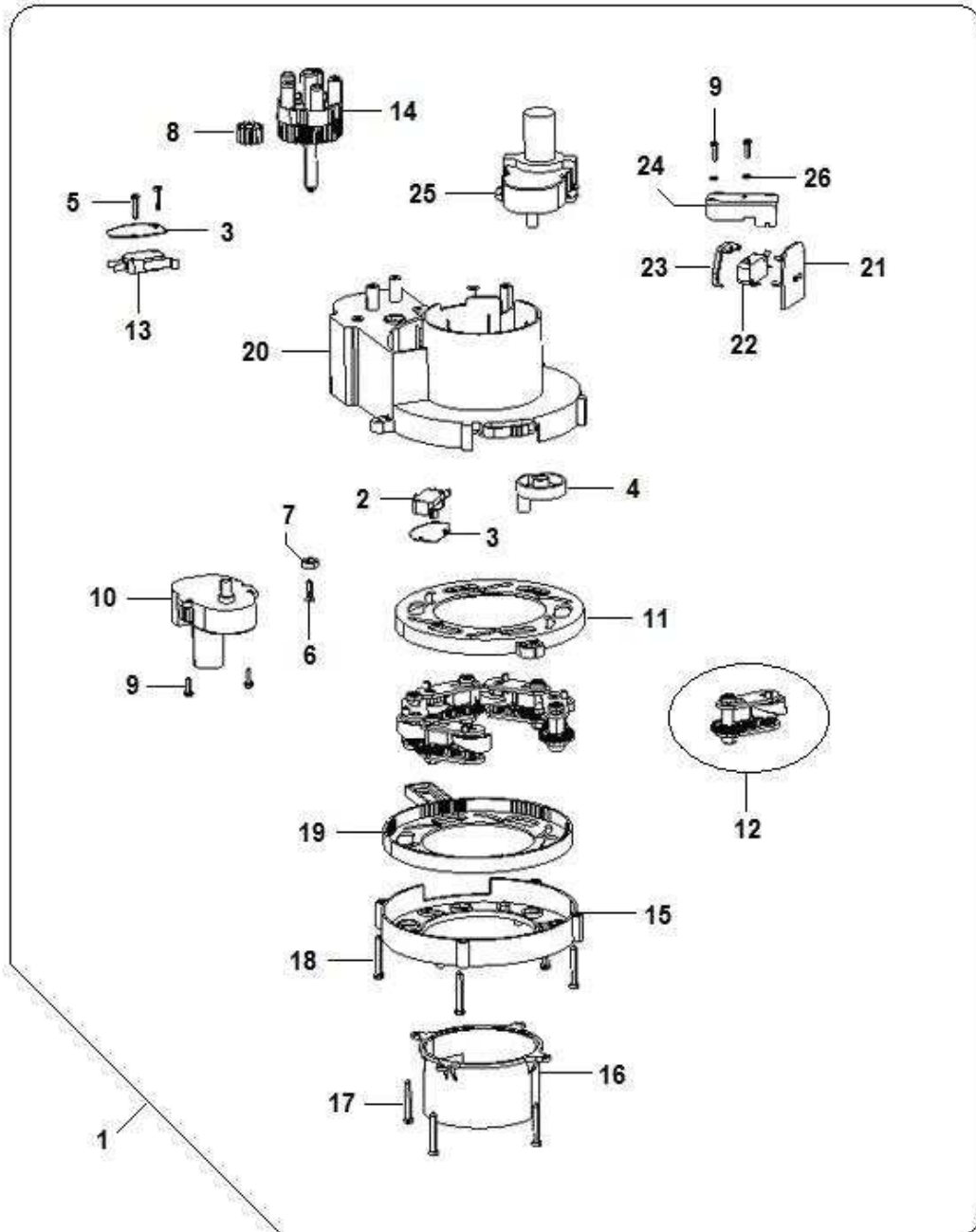
| <b>Pos.</b> | <b>Referencia</b> | <b>Descripción</b>            |
|-------------|-------------------|-------------------------------|
| 0001        | 43152356          | ruedecilla bloque NSF101A049A |
| 0002        | 43152416          | ruedecilla bloque NSF101A049A |
| 0003        | 43152386          | ruedecilla bloque NSF101A049A |
| 0004        | 43152396          | ruedecilla bloque NSF101A049A |
| 0005        | 43152376          | ruedecilla bloque NSF101A049A |
| 0006        | 43152366          | ruedecilla bloque NSF101A049A |
| 0007        | 43017116          | ruedecilla bloque NSF101A049A |





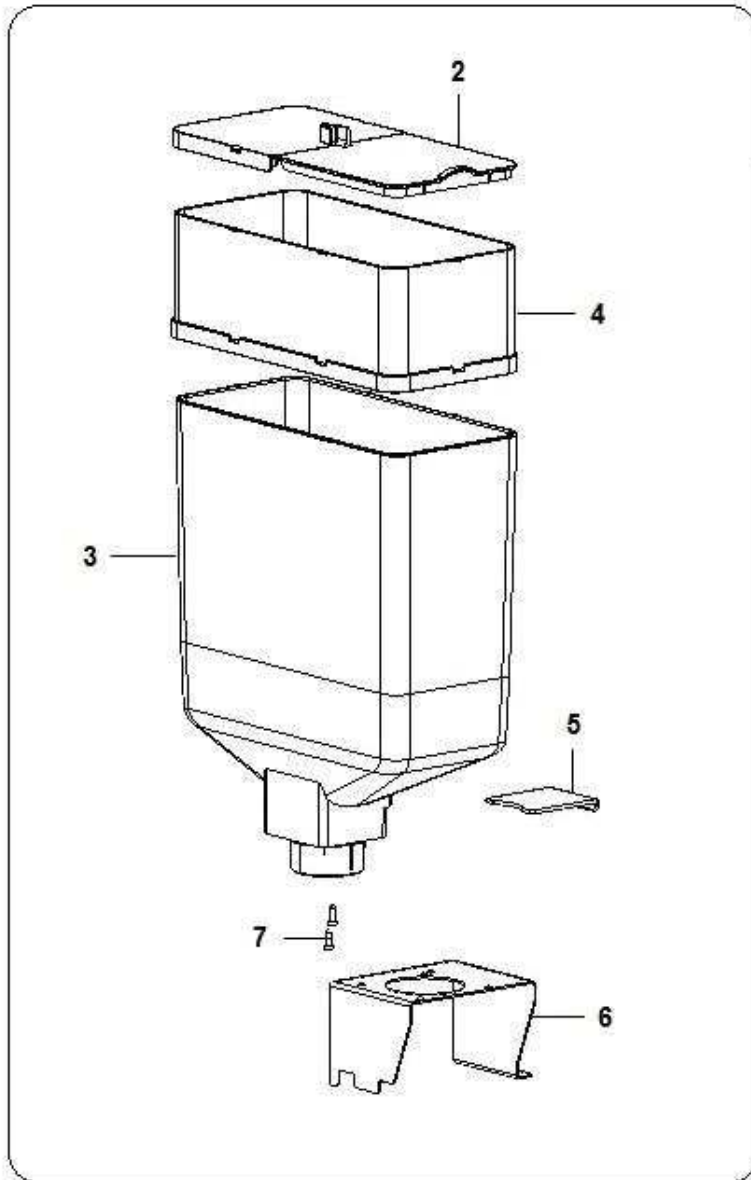
| Pos. | Referencia     | Descripción                    |
|------|----------------|--------------------------------|
| 0001 | 20016810-04    | CONJ.MOTORID.S/CAB.24V GR-CAFÉ |
| 0002 | 20014946-02    | MOTORID. 24V DC 11-12 R S/CABL |
| 0003 | 01484212       | estribo                        |
| 0004 | 26005126       | micro con rueda xgm281s20      |
| 0005 | 08004111       | aislante micro                 |
| 0006 | 35160216       | arandela dent.d.3,2            |
| 0007 | 34102716       | tuerca es.M3                   |
| 0008 | 32050516       | tornillo 4 Mx10 c/r zin        |
| 0009 | 05110915-01M09 | cama rotacion grupo negro      |
| 0010 | 32061016       | tornillo TC M4x25              |
| 0011 | 35160316       | arandela dent.d.4,2            |
| 0012 | 41081216       | codo en plastico gr/café       |

**COMPONENTES DESENGANCHE VASOS (628)**



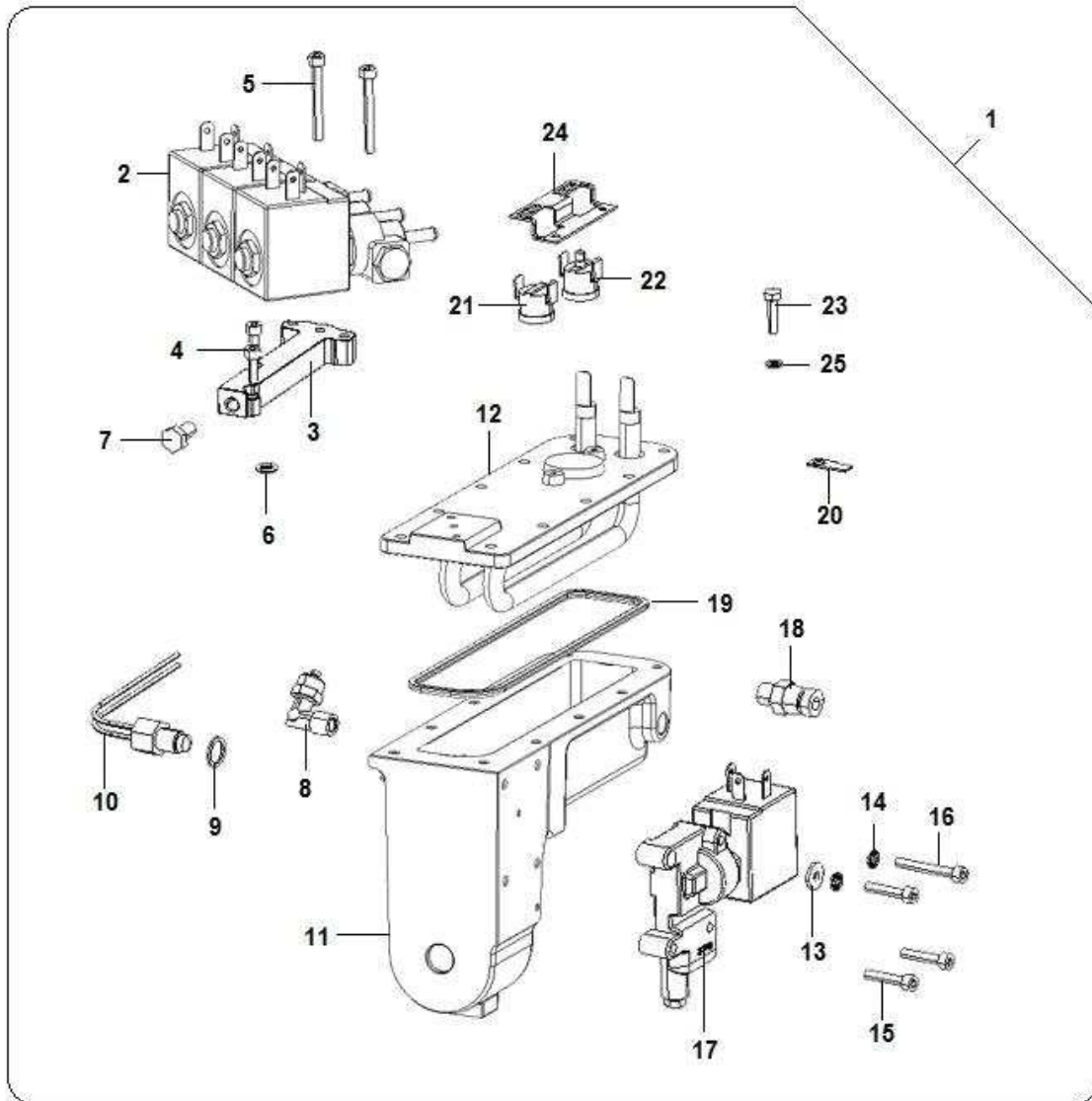
**COMPONENTES DESENGANCHE VASOS (628)**

| Pos. | Referencia     | Descripción                         |
|------|----------------|-------------------------------------|
| 0001 | 28007110-01    | C/O DESENGANCHA VASOS.OR-SI-ANT     |
| 0002 | 26005136       | micro con rueda xgm2-81-s2          |
| 0003 | 08004111       | aislante micro                      |
| 0004 | 05121115       | cama movimentazione girant          |
| 0005 | 32025716       | tornillo TC 3MAx16                  |
| 0006 | 32230566       | tornillo autorroscante x l          |
| 0007 | 05136215       | BRUJULA ROTAC.TAMBOR VASOS          |
| 0008 | 05136115       | piñon motor desengachavasos         |
| 0009 | 32025516       | tornillo tc m3x10                   |
| 0010 | 20019316-01    | motorreductor 24V DC (nuevo)        |
| 0011 | 05120915M37    | GIRANTE REGOLAC.DIAM.DESENGAN. VAS. |
| 0012 | 05131020-01    | ASS.CHIOCCHIOLA SG.BICCH.           |
| 0013 | 26005156       | micro c/leva                        |
| 0014 | 05136015       | cam de rotación                     |
| 0015 | 05120615M37    | TAPÓN INF. DESENGANCHA VAS. MARRÓN  |
| 0016 | 05121015       | embudo                              |
| 0017 | 32222816       | tornillo autorroscante 2,9          |
| 0018 | 32010936       | 4,0X30 UNI9707 tapping screw        |
| 0019 | 05120815M37    | girante espuls.vasos maròn          |
| 0020 | 05140115M37    | TAPÓN SUP.C/POP-ALTE MARRÓN         |
| 0021 | 05121215-01M37 | soporte micro maron                 |
| 0022 | 26017026       | MICRO S/PALAN.10GR VRSRCMDA1-ERS 16 |
| 0023 | 05121315-02    | sensor presencia vasos              |
| 0024 | 01576411-01    | escuadra soporte micro              |
| 0025 | 20018416-01    | motored 24VDC 12RPM 2,2nF 100V      |
| 0026 | 35160216       | arandela dent.d.3,2                 |



**TOLVA CAFE' CAPACIDAD 3,7 kg. (632)**

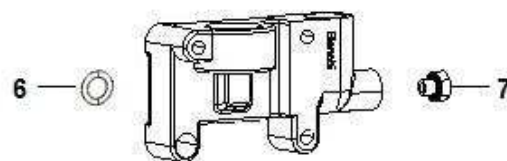
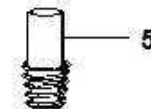
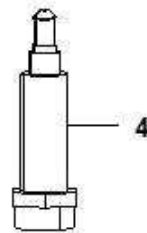
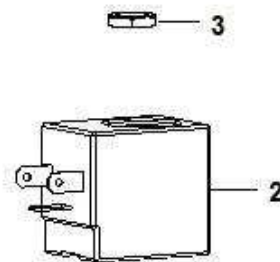
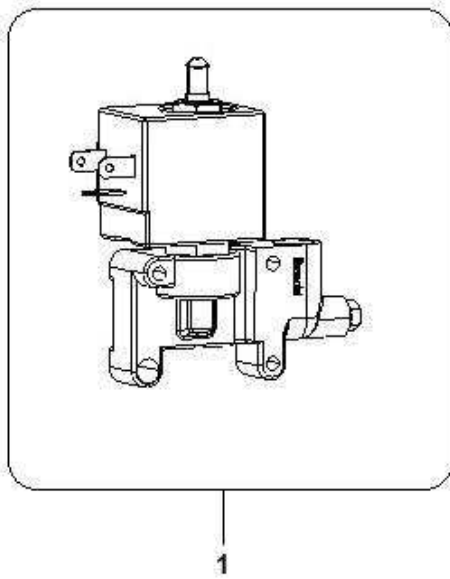
| Pos. | Referencia  | Descripción                     |
|------|-------------|---------------------------------|
| 0001 | 05251250    | CONJ.TOLVA.CAFÉ BV972 KG.3,7    |
| 0002 | 05255015M00 | TAPA TOLVA DX-SX BV972          |
| 0003 | 05251315M00 | TOLVA CAFÉ BVM 972              |
| 0004 | 05256315M00 | ALARGADERA TOLVA CAFÉ BVM       |
| 0005 | 05147915    | TABIQUE CONT.CAFÉ SPRINT        |
| 0006 | 01782431    | SOPORTE TOLVA BV972/952/ANE29   |
| 0007 | 32010736    | TORNILLO A/F 4,0X20 TCB UNI9707 |



| Pos. | Referencia  | Descripción                              |
|------|-------------|--|
| 0001 | 85003110-04 | CONJ.CALDERA 3 E-VALV.                   |
| 0002 | 25021516-01 | el-valv GR-3 2vias24VDC D=2mm            |
| 0003 | 19059411-02 | BLOQ.EL-VALV. TEATO                      |
| 0004 | 32065416    | tornillo 4x12                            |
| 0005 | 32068316    | tornillo TCEI 4MAx35 P/FIL.ZN            |
| 0006 | 36350116    | O-Ring 2025                              |
| 0007 | 32125336    | tornillo TE 6MAx12 IX                    |
| 0008 | 04041316-01 | CODO.GOM.1/8M.GAS A-TUBO6/4 DEP          |
| 0009 | 18002516    | guarnic. rame d.10                       |
| 0010 | 26050846    | sensor de temp. con NTC+conect           |
| 0011 | 13008021-03 | CUERPO CALDERA GR-CAFÉ TEATA             |
| 0012 | 29004312-02 | BRIDA TEA.CALD.C/RES.230V AISI 316TFLANG |
| 0013 | 35157616    | arandela plana ø 4,3 ac.                 |
| 0014 | 35160316    | arandela dent.d.4,2                      |
| 0015 | 32067916    | TCEI 4MAx20 tuerca                       |
| 0016 | 32068216    | 4MAX30 tuerca                            |
| 0017 | 25020856    | electrovalvula 3 vie 24v dc              |
| 0018 | 04040316    | VALV.DE DESCARGA + OR 1/8 GA             |
| 0019 | 05143815    | guarnición caldera es.                   |
| 0020 | 23020626    | lengüeta macho 6.3x0.8                   |
| 0021 | 25020516    | clixon a apert rap ty6o 11               |
| 0022 | 25020616-01 | clixon a rearme man. ty6or               |
| 0023 | 32055536    | tornillo te 4ma x 16 ix.                 |
| 0024 | 01599411-02 | resorte para termoregulado               |
| 0025 | 35153426    | arandela elast.d.4,3 ix.                 |

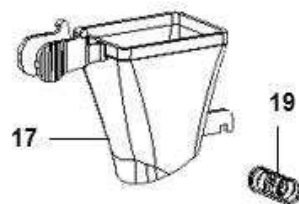
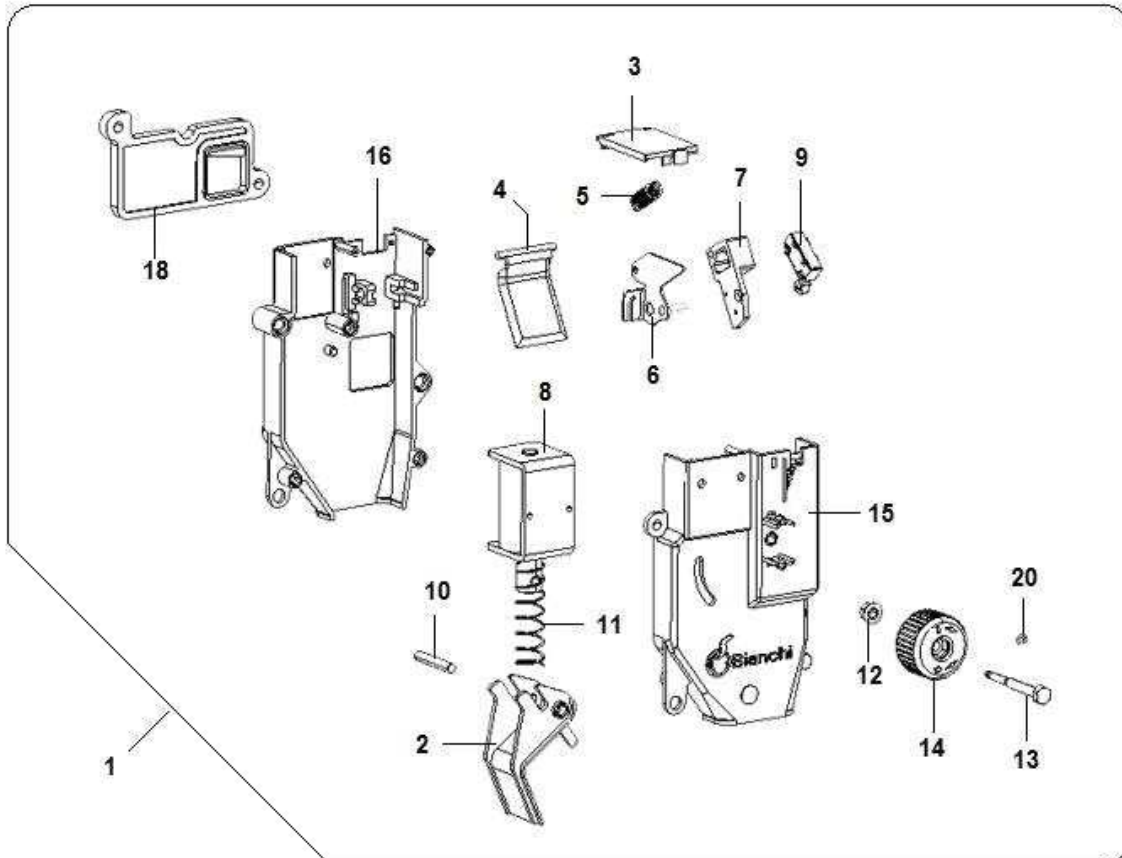


### COMPONENTES EL-VALV. 3 VIAS OLAB (930)

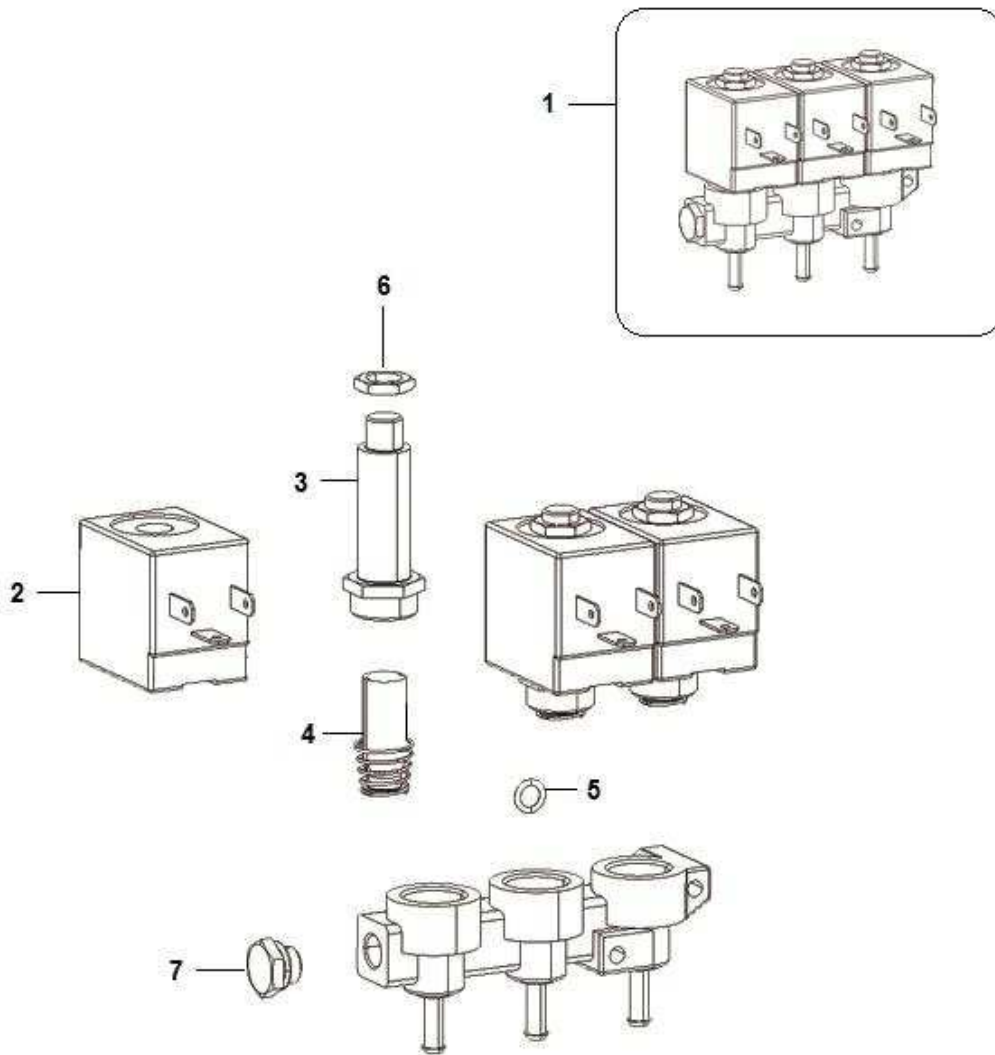


**COMPONENTES EL-VALV. 3 VIAS OLAB (930)**

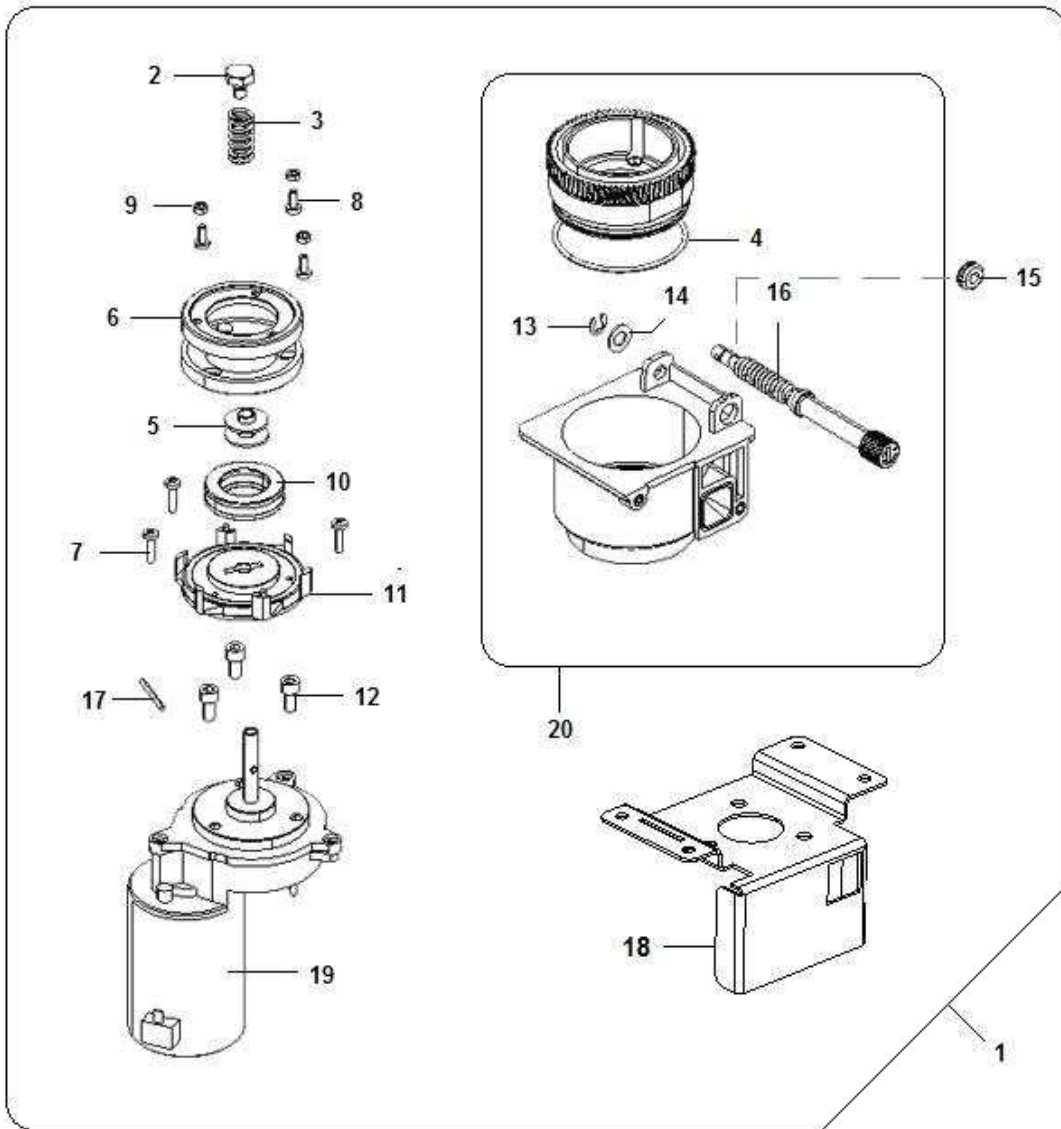
| <b>Pos.</b> | <b>Referencia</b> | <b>Descripción</b>                     |
|-------------|-------------------|--|
| 0001        | 25020856          | electrovalvula 3 vie 24v dc            |
| 0002        | 25019416B         | BOBINA PARA EV 25019416                |
| 0003        | 43050616          | TUERCA DE BLOCAJE BOBINA               |
| 0004        | 41037516          | armadura tubo tipo OLAB 3              |
| 0005        | 41037416          | prolong. tipo OLAB                     |
| 0006        | 43001316          | o-ring viton 9,63x6,07 para ev         |
| 0007        | 43151796          | CUER.TAPA452/A-105-NT2+GUARN.VITON.ORM |



| Pos. | Referencia  | Descripción                    |
|------|-------------|--------------------------------|
| 0001 | 43002410-02 | conj. dosificador c/distancial |
| 0002 | 05135115-01 | caj.basculante dos. café       |
| 0003 | 05135025    | tapa dosador café              |
| 0004 | 05135315    | TABIQUE MOBILE DOS. CAFÉ       |
| 0005 | 07020611    | MUELLE X ESCUADRA MICRO        |
| 0006 | 01586212-02 | SQUAD.MICRO C/PRG              |
| 0007 | 05154615    | SOP.MICRO DOS-CAFÉ C/POM       |
| 0008 | 20019146-01 | electroimagnete 5% 24V DC      |
| 0009 | 26029616    | micro a retenc. cablato        |
| 0010 | 33051716    | ENCHUFE CILINDRICO 4X25 IX     |
| 0011 | 07020511-01 | resorte para electroiman       |
| 0012 | 34115316    | tuerca con arandela M4         |
| 0013 | 19058911    | tornillo regol. micro interr   |
| 0014 | 05135215    | sujetador regulac.dosis        |
| 0015 | 05134815    | cobertura ant.                 |
| 0016 | 05134925    | cobertura pos.                 |
| 0017 | 05135415    | caida de café                  |
| 0018 | 05155615-01 | distancial dosador             |
| 0019 | 07020911    | resorte de caida               |
| 0020 | 37000816    | anillo seeger                  |

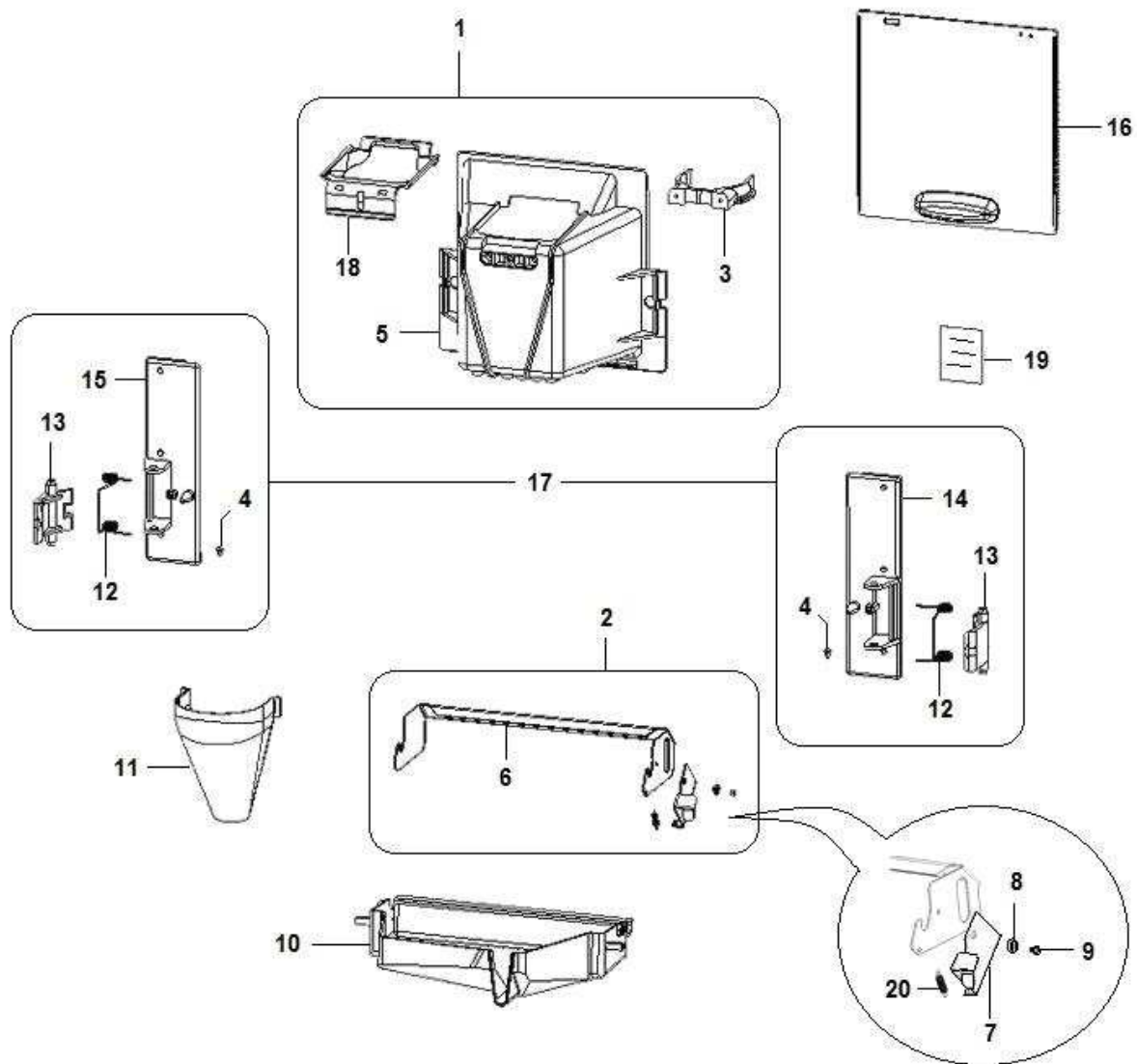


| Pos. | Referencia  | Descripción                      |
|------|-------------|----------------------------------|
| 0001 | 25021516-01 | el-valv GR-3 2vias24VDC D=2mm    |
| 0002 | 25019416B   | BOBINA PARA EV 25019416          |
| 0003 | 41037316    | armadura tubo tipo OLAB          |
| 0004 | 41037216    | prolongacion tipo ODE 2 vi       |
| 0005 | 43001316    | o-ring viton 9,63x6,07 para ev   |
| 0006 | 43050616    | TUERCA DE BLOCAJE BOBINA         |
| 0007 | 43031516    | TAPÓN FILETEADO G1/8NICH.6084/2N |



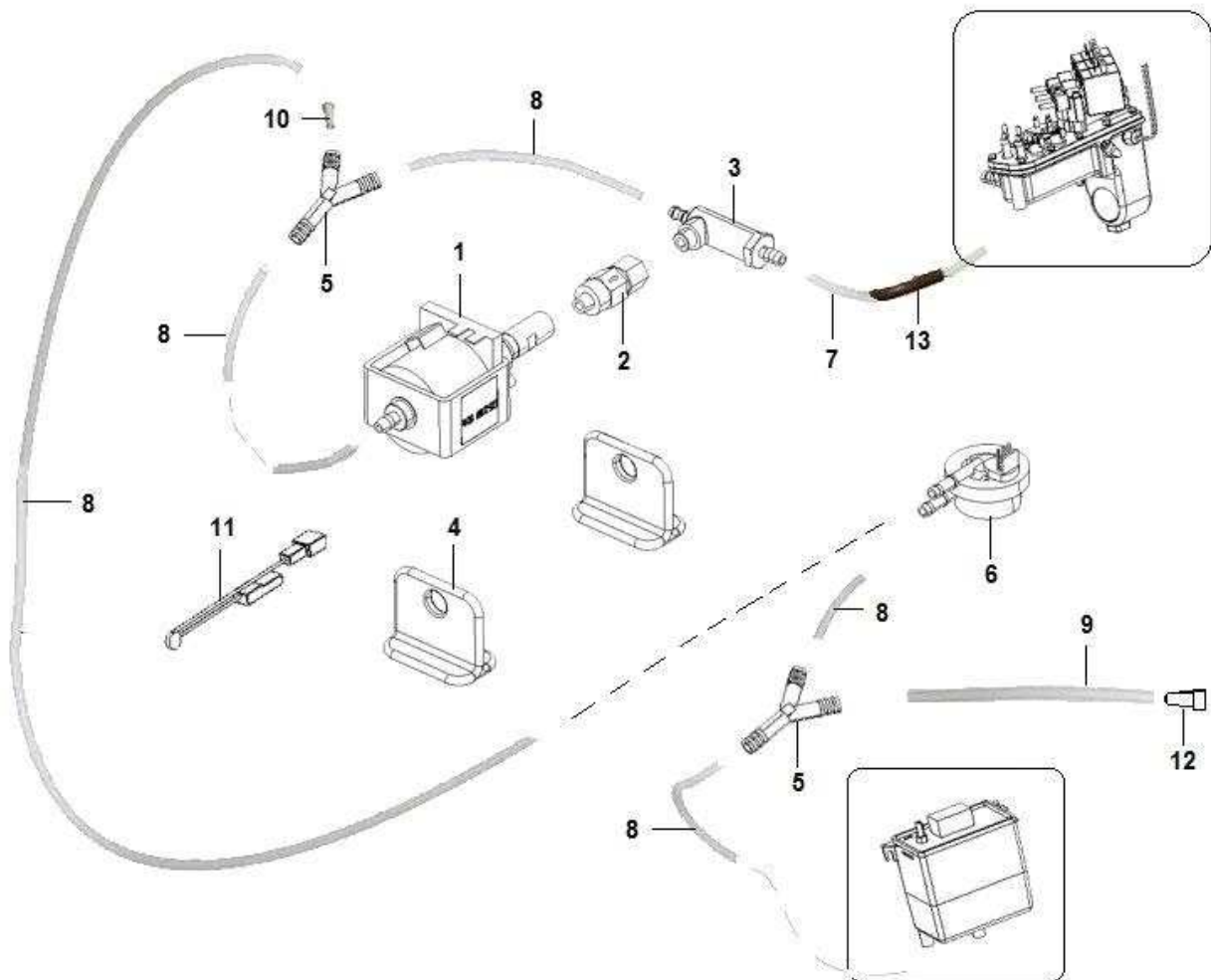
| Pos. | Referencia  | Descripción                             |
|------|-------------|---|
| 0001 | 86001370-01 | CONJ.MOLINILLO LEI 400                  |
| 0002 | 19059021    | tornillo resorte mol.ametek             |
| 0003 | 07020411    | resorte de molinillo                    |
| 0004 | 36211316    | OR 3262 nbr 70 sh                       |
| 0005 | 19060411    | ARANDELA CON BRUJULA                    |
| 0006 | 18007326    | muela molinillo dm64 12dientes          |
| 0007 | 32060816    | TORNILLO TC 4MAX16 ZN                   |
| 0008 | 32060516    | TORNILLO TC 4MAX10 ZN                   |
| 0009 | 34102816    | tuerca es. 4ma zin.                     |
| 0010 | 19059216    | cojinete axial                          |
| 0011 | 13008211-03 | soporte molinillo móvil                 |
| 0012 | 32135316    | MA6X12 cross-headed embedded hexagon Zn |
| 0013 | 37001116    | anillo seeger Ø 6                       |
| 0014 | 35168826    | ARANDELA PLANA D.8,4X15,5X1,2#0,05      |
| 0015 | 23004086    | pasacable d. 6X15 goma                  |
| 0016 | 05134715    | sujetador regulac.muela                 |
| 0017 | 12017411    | alambre D3x30                           |
| 0018 | 01586971-01 | SOPORTE MOLINILLO LEI 400               |
| 0019 | 20020616    | MOTOR X MOLINILLO AMETEK 24VCC          |
| 0020 | 43018910-01 | conj. cámara de molino                  |





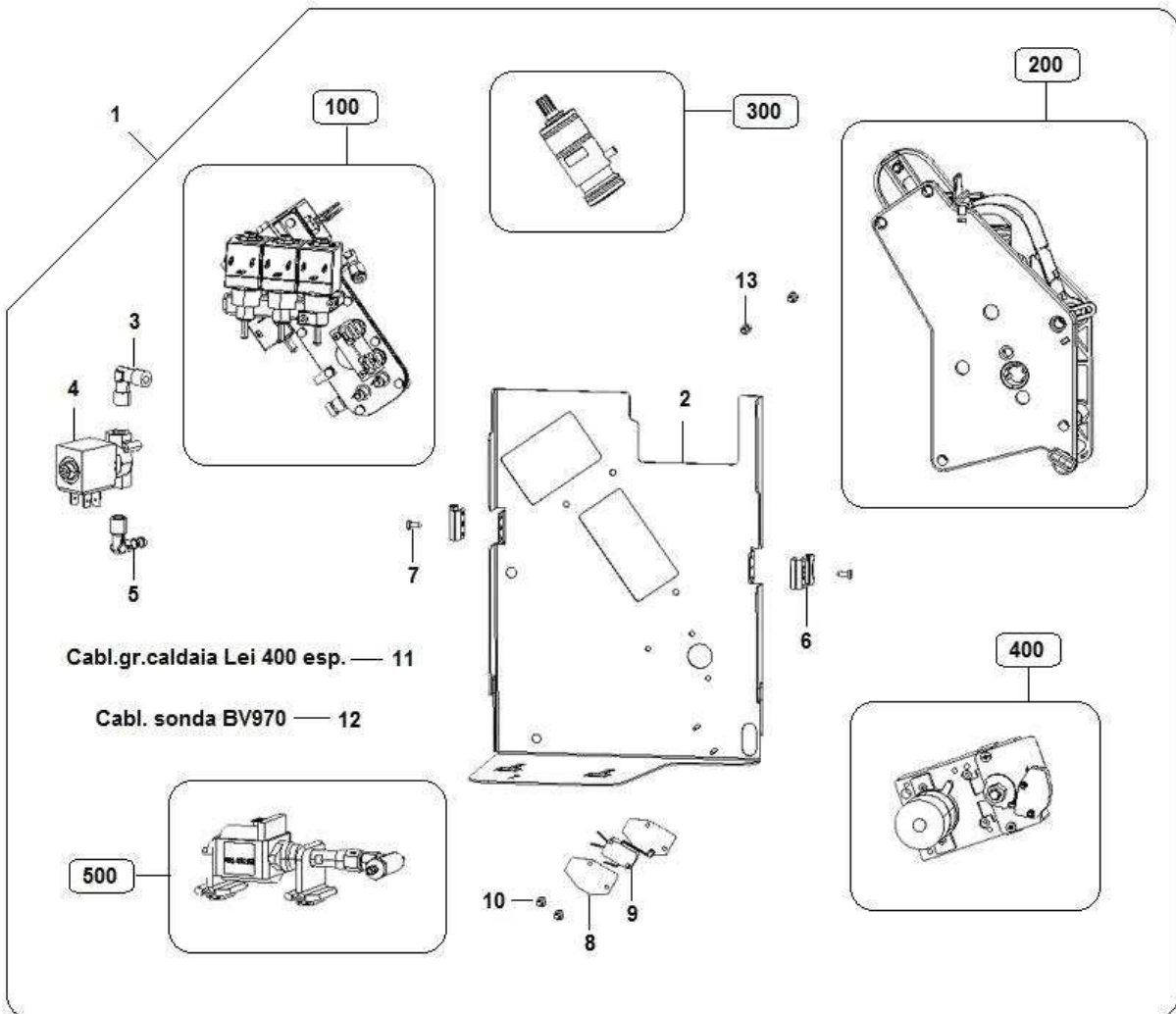
| Pos. | Referencia     | Descripción                      |
|------|----------------|----------------------------------|
| 0001 | 05108320-01M09 | conj. vano erogacion negro       |
| 0002 | 01525010-01    | drop tray with lever for Antares |
| 0003 | 05000315M09    | HORQUILLA VASOS NEGRO            |
| 0004 | 05099116       | goma para antigoteo              |
| 0005 | 05103225-01    | vano erogacion negro             |
| 0006 | 01452011-03    | Dispensing chamber tanksupport   |
| 0007 | 01524511       | drop tray lever                  |
| 0008 | 19054411       | arandela de remache              |
| 0009 | 33050126       | remache 3,2x8                    |
| 0010 | 05103715-02M09 | caja recoj.agua negro            |
| 0011 | 05103815-01    | embudo vano erogación            |
| 0012 | 07017311       | resorte leva freno vano er       |
| 0013 | 05103525-01    | leva bloqueo vano erogacion      |
| 0014 | 05103325-01    | CONJ. VANO EROG.DER. NEGRO       |
| 0015 | 05103425-01    | soporte vano erogacion sx        |
| 0016 | 05272715-02M00 | puerta vano erogacion            |
| 0017 | 43127110       | CONJ.SOP.VANO EROG.DER+IZQ       |
| 0018 | 05266315M09    | COLLAR PROTEC.VANO EROGACIÓN     |
| 0019 | 30273111-01    | Cup station precaution labels    |
| 0020 | 07012411       | resorte de canal monedas         |

**BOMBA AGUA & CONTADOR VOLUMETRICO  
(1235)**



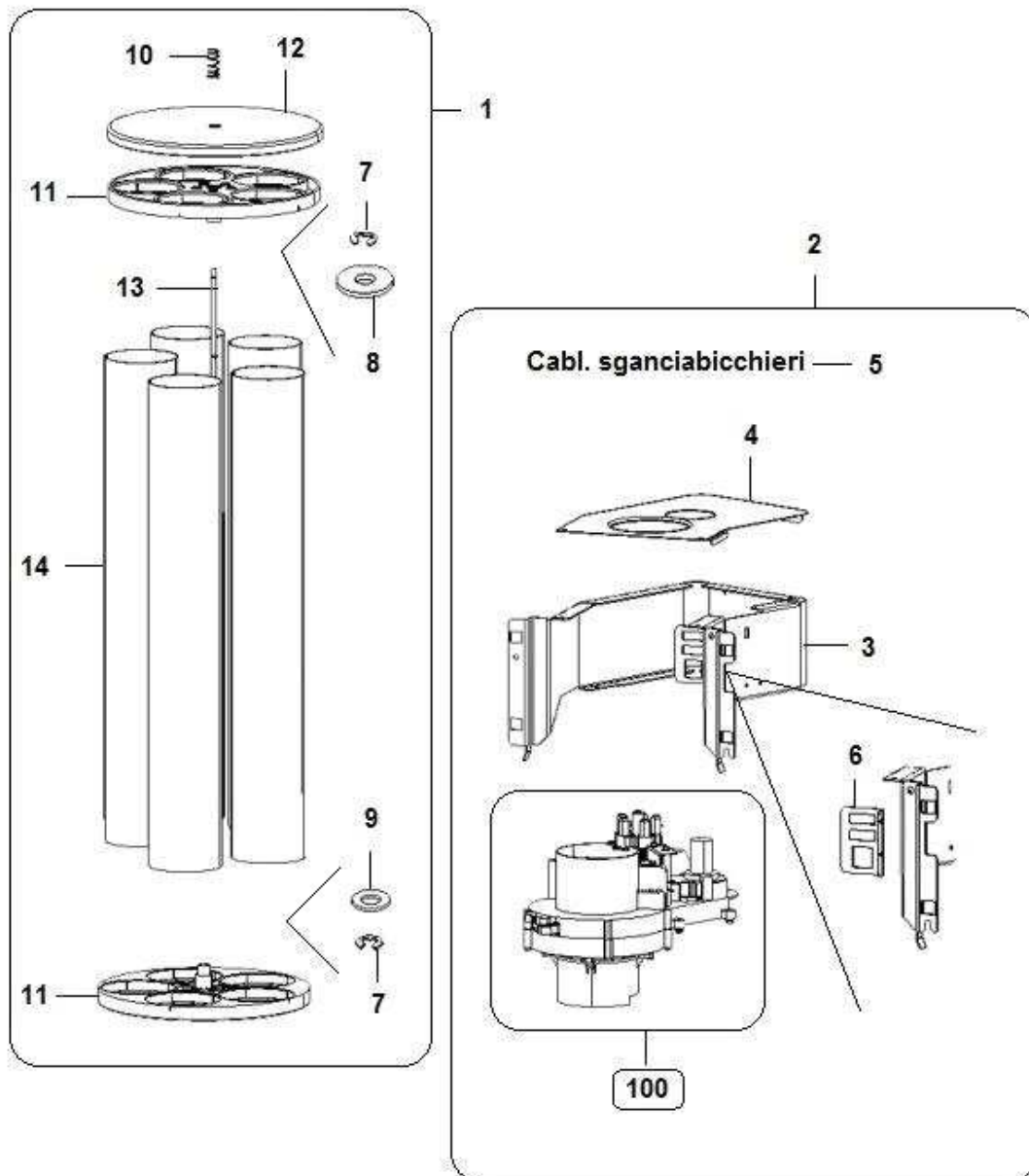
| Pos. | Referencia     | Descripción                         |
|------|----------------|-------------------------------------|
| 0001 | 27003316       | electrobomb ulka ex5 230V-50Hz      |
| 0002 | 04041016-01    | VALV.DE NO RETORNO MASC. DESPLOMB.  |
| 0003 | 04040916-02    | VALV.DE G.11BAR DESPLOMBADO         |
| 0004 | 05259515M09    | soporte bomba ULKA/FLUIDOTECH       |
| 0005 | 05240015M00    | racorde 3 vie D.exterior 9 mm       |
| 0006 | 24012116       | contador volumetrico                |
| 0007 | 09110016-01    | TUBO PTFE 6X4 CALIBRADO PMAX 68 BAR |
| 0008 | 09029763-01    | tubo silicon 5x9 transparente       |
| 0009 | 09029753-01    | TUBO SIL.SZ.8X12 TRANSP.            |
| 0010 | 05102225       | RIDUCT.CAMA MEZCLADO MARRÓN         |
| 0011 | 25022616-02    | clixon Microtherm f11 100°          |
| 0012 | 05036515-01M00 | TAPÓN X TUBO DESCARGA               |
| 0013 | 09087843-02    | tubo silicon marron 7x11            |

**CONJ. SOPORTE GRUPO DE CAFÉ LEI600 (1292)**



| Pos. | Referencia    | Descripción                     |
|------|---------------|---------------------------------|
| 0001 | 95011650-04CL | CONJ. PLANCHA GRUPO CAFÉ LEI600 |
| 0002 | 06003412      | coffee group plate assy LEI400  |
| 0003 | 04034616      | recor de codo                   |
| 0004 | 25038716      | EV.2VIE # 2,9 24DC BOTE IX      |
| 0005 | 04061016      | CODO.ANG.MASC. 1/8 D.6.5        |
| 0006 | 05242415M37   | PINZA BLOCAJE PLANCHA GR        |
| 0007 | 32227256      | tornillo autorroscante 3,9      |
| 0008 | 08004111      | aislante micro                  |
| 0009 | 26005136      | micro con rueda xgm2-81-s2      |
| 0010 | 34102716      | tuerca es.M3                    |
| 0011 | 22200312-01   | boiler group cable LEI400 ES    |
| 0012 | 22178412      | CABL.SONDA BV970 IVS            |
| 0013 | 19056011      | perno fijac. grupo              |

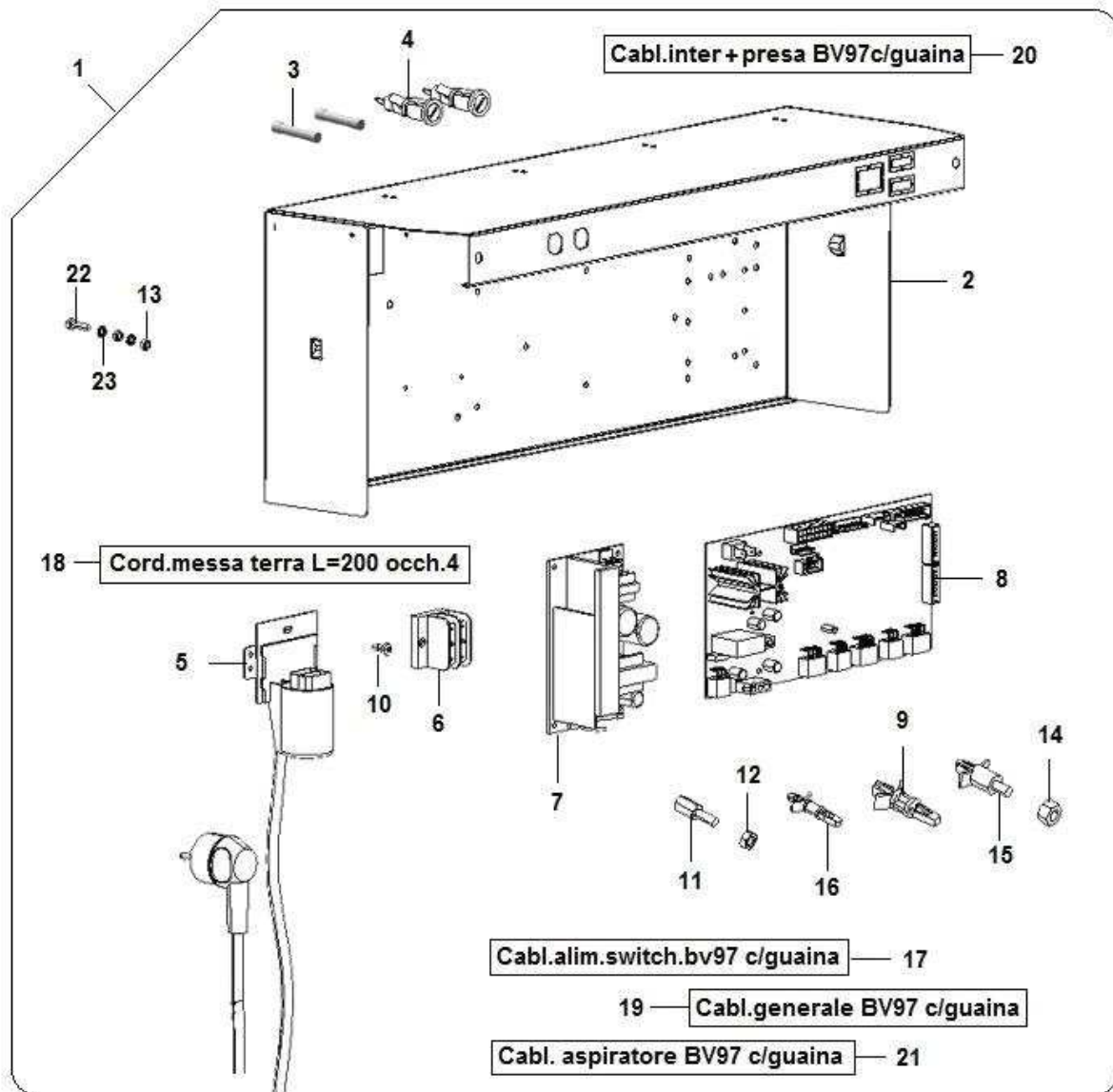
**C/O COLUMN DESNGANCHE VASOS (1287)**



| Pos. | Referencia  | Descripción                       |
|------|-------------|-----------------------------------|
| 0001 | 28006980    | cup turret as.LEI600 75*77*612    |
| 0002 | 28011130-06 | CONJ. DESENGANCHA VASOS BV971 IVS |
| 0003 | 06050712    | Cup dispenser frame assy          |
| 0004 | 01826741    | BV971 IVS cup dispenser cover     |
| 0005 | 22178612    | CABL.DESENGANCHA VASOS.BV970 IVS  |
| 0006 | 01826811-01 | Cup dispenser connector plate     |
| 0007 | 37001016    | anillo de seguridad               |
| 0008 | 35157816    | arandela plana d.5,3x15x1.        |
| 0009 | 35155316    | ARANDELA-PLANA D.5,3X10X1 ZN      |
| 0010 | 07020711-01 | MUELLE X CONJ.TAMBOR              |
| 0011 | 05135615M09 | DISCO TAMBÓR DESENG.VASOS NEGRO   |
| 0012 | 05146115M09 | cobertura columna vasos negro     |
| 0013 | 19059361    | Cup column rod 605,5 LEI600       |
| 0014 | 09094161    | 75x77 PVC transp.pipe L=612       |

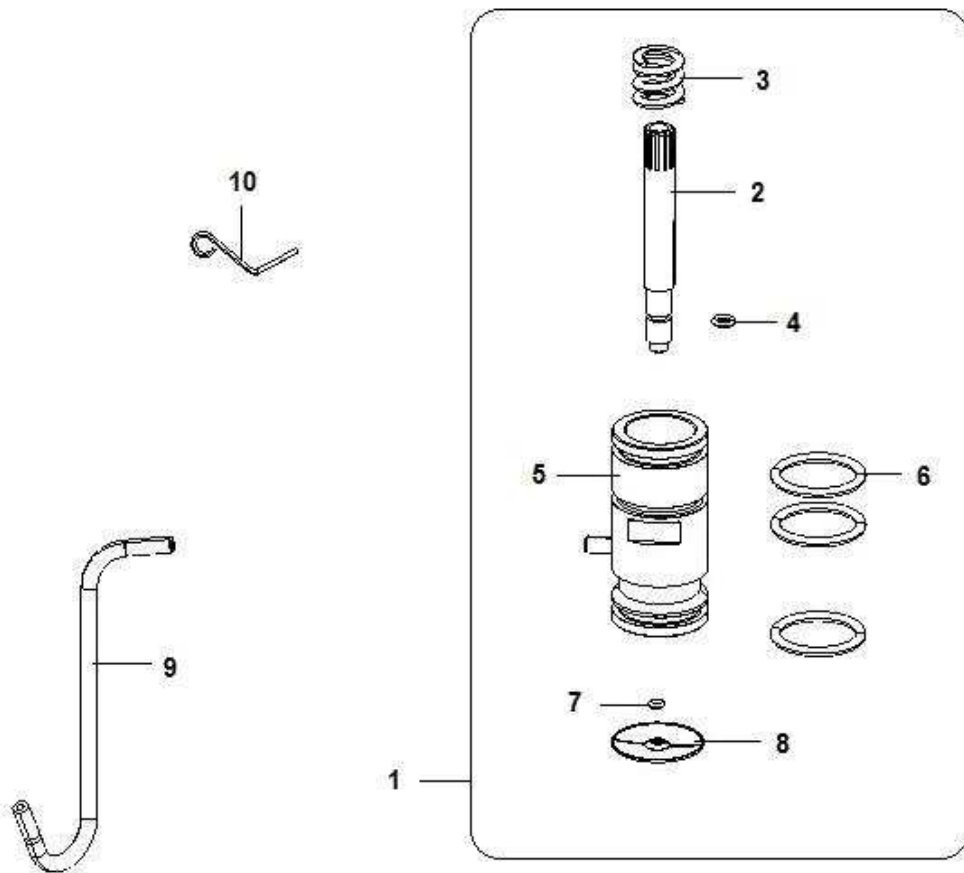


**CONJ. PANEL ELETTRICO LEI 600 (1286)**



| Pos. | Referencia    | Descripción                    |
|------|---------------|--------------------------------|
| 0001 | 94035110-01CL | LEI600 switch box assy         |
| 0002 | 06007311      | central electr box LEI 600     |
| 0003 | 23014916      | fusible 10 amp.                |
| 0004 | 23017316      | portafusible a resorte 6,3     |
| 0005 | 26026376      | filtro de red ataque rapido    |
| 0006 | 23038816      | BVM plugs assy                 |
| 0007 | 26048356-02   | aliment.swiitch 24V 120W/360W  |
| 0008 | 26048416-01   | placa pot. SMT.MICR.256K       |
| 0009 | 05195216      | distancial placa lcbs 3-6-01   |
| 0010 | 32025216      | Cross headed screw 3MAX6       |
| 0011 | 33071926      | DISTANZIALES METAL M/F M3 L.8  |
| 0012 | 34110116      | tuerca autobl.3ma zin.         |
| 0013 | 34102826      | TUERCA ES. 4MA OT.             |
| 0014 | 33065726      | tuerca M4                      |
| 0015 | 33065526      | distanc. x plaqueta L=10       |
| 0016 | 33072046      | distanciales M/F M3 L.7,9      |
| 0017 | 22177512-01   | BV97pow.sup.swit.cable w/shea. |
| 0018 | 22043022      | GROUND WIRING L=200            |
| 0019 | 22177412-03   | BV970IVS gener.cable w/sheath  |
| 0020 | 22177612-01   | BV97swit.+socket cab. w/sheath |
| 0021 | 22177712-01   | BV97 aspirator cable w/sheath  |
| 0022 | 32055726      | allen screw 4max*20            |
| 0023 | 35160316      | arandela dent.d.4,2            |

**CONJUNTO PISTON(7)**



**CONJUNTO PISTON(7)**

| <b>Pos.</b> | <b>Referencia</b> | <b>Descripción</b>         |
|-------------|-------------------|----------------------------|
| 0001        | 05138130-01       | junt.piston grupo café     |
| 0002        | 05107725          | sujetador para filtro pist |
| 0003        | 07017611-01       | muelle para piston         |
| 0004        | 36210916          | guarnic. OR 2021 viton     |
| 0005        | 05148032-01       | piston grupo bianchi       |
| 0006        | 36211816          | guarnic. OR 4112 viton     |
| 0007        | 36212116          | guarnic. OR 2010 viton     |
| 0008        | 16014812          | conj. filtro               |
| 0009        | 09087873-02       | tubo silicon marron 3x6    |
| 0010        | 07017511          | eje frena piston           |