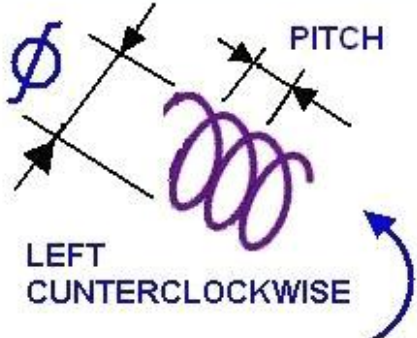
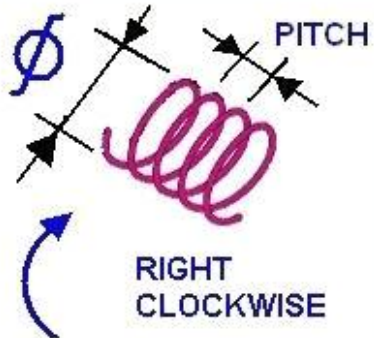


PORTA VISTA MASTER - LATO VETRINA (1746)
PORTA VISTA MASTER - LATO MODULO BOTT. (1747)
CASSONE E PARTI - LATO VETRINA (1748)
PARTI CASSONE - LATO MODULO BOTT. (1749)
ASS. MODULO BOTT/LATTINE (1750)
COMPONENTI MODULO BOTT/LATTINE (1751)
COMPONENTI CASSETTI PRODOTTI (1752)
GUIDE CASSETTI (1701)
CONFIGURACION ESPIRALES DISPONIBLES BANDEJAS(139)
C/O PULL VISTA MASTER PLUS (1753)
CASSETTO PULL - PRELIEVO PRODOTTI (1754)
COMPONENTI INTERNO VANO (1755)
ASS. GR-FRIGO VISTA MASTER PLUS (1756)
ASS. INTERRUTTORE DI SICUREZZA (1757)
C/O CENTRALINA MASTER PLUS (1758)
CASSETTA MONETE VISTA PLUS (1891)



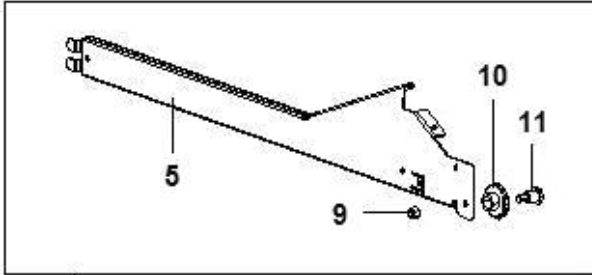
**LEFT
CUNTERCLOCKWISE**



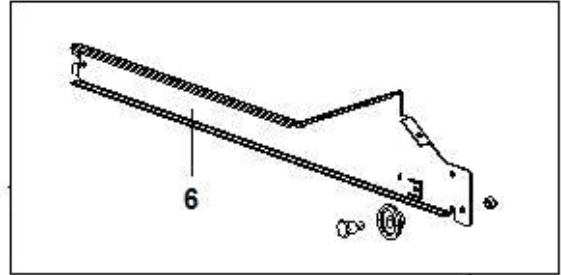
**RIGHT
CLOCKWISE**

| | ROT. | \varnothing | PITCH | N. PROD. |
|----|---------|---------------|-------|---------------|
| 1 | • RIGHT | — 80 | — 45 | — 10 |
| 2 | • RIGHT | — 68 | — 35 | — 13 |
| 3 | • RIGHT | — 68 | — 45 | — 10 |
| 4 | • RIGHT | — 68 | — 30 | — 16 |
| 5 | • RIGHT | — 80 | — 81 | — 5 |
| 6 | • RIGHT | — 80 | — 22 | — 21 |
| 7 | • RIGHT | — 68 | — 60 | — 7 |
| 8 | • RIGHT | — 68 | — 22 | — 21 |
| 9 | • RIGHT | — 68 | — 94 | — 5 |
| 10 | • RIGHT | — 80 | — 37 | — 12 |
| 11 | • RIGHT | — 68 | — 77 | — 6 bot/can |
| 13 | • RIGHT | — 68 | — 22 | — 21 splitter |
| | | | | |
| 14 | • LEFT | — 68 | — 45 | — 10 |
| 15 | • LEFT | — 68 | — 60 | — 7 |
| 16 | • LEFT | — 68 | — 77 | — 6 bot/can |
| 17 | • LEFT | — 80 | — 22 | — 21 |
| 18 | • LEFT | — 68 | — 94 | — 5 |
| 19 | • LEFT | — 68 | — 35 | — 13 |

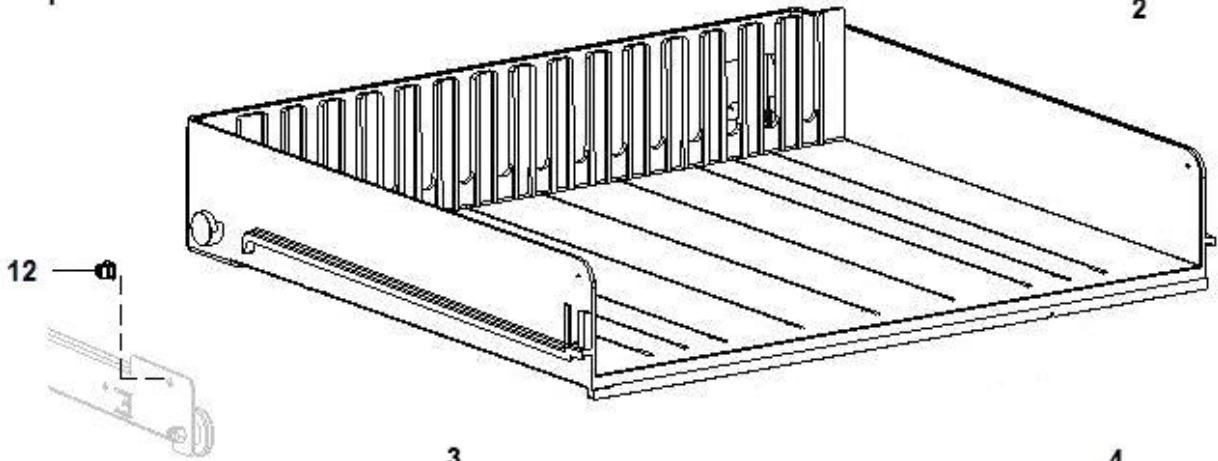
| Pos. | Referencia | Descripción |
|------|----------------|--------------------------------------|
| 0001 | 07018211-01L16 | espiral dx ø68 paso 45 |
| 0002 | 07018111-01L16 | espiral dx ø68 paso 35 |
| 0003 | 07018311-01L16 | ESPIRAL DX D= 68 PASO 45 VEGA - C - |
| 0004 | 07018511L16 | espiral dx d= 68 paso 30 ve |
| 0005 | 07020011-01L16 | espiral dx d= 80 paso 81 ve |
| 0006 | 07020311L16 | espiral dx d= 80 paso 22 ve |
| 0007 | 07018911L16 | espiral dx d= 68 paso 60 ve |
| 0008 | 07018811L16 | espiral dx d= 68 paso 22 ve |
| 0009 | 07021111L16 | espiral dx d= 68 paso 94 ve |
| 0010 | 07018711-01L16 | espiral dx d= 80 paso 37 ve |
| 0011 | 07019311L16 | espiral dx ø80 paso 45 |
| 0013 | 07024211L16 | ESPIRAL DER D= 68 P= 22 CON ASTA |
| 0014 | 07019811-01L16 | ESPIRAL IZQ D= 68 PASO 45 VEGA - P - |
| 0015 | 07019611L16 | espiral sx d= 68 paso 60 ve |
| 0016 | 07019511L16 | espiral sx d= 68 paso 77 ve |
| 0017 | 07021011L16 | espiral dx d= 80 paso 22 ve |
| 0018 | 07021211L16 | espiral sx d= 68 paso 94 ve |
| 0019 | 07021611-01L16 | ESPIRAL IZQ D= 68 PASO 35 VEGA |



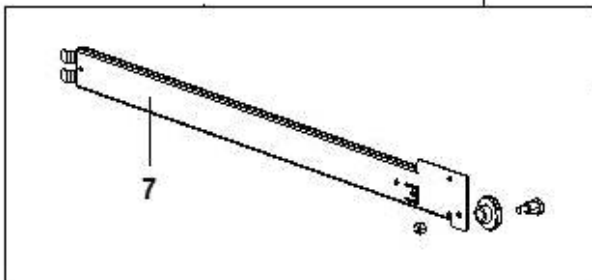
1



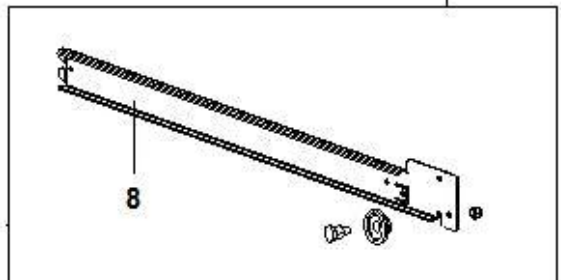
2



3

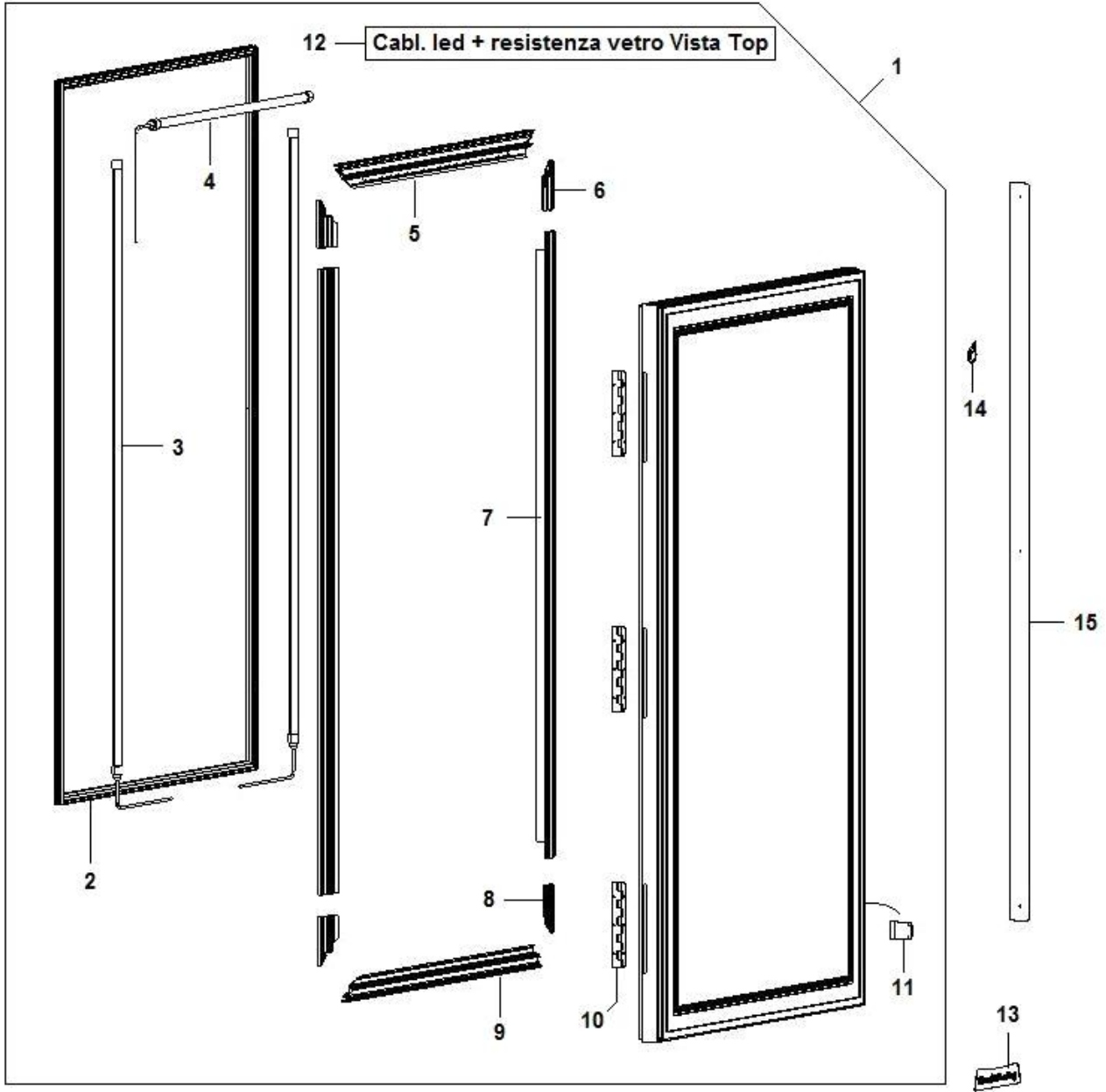


7

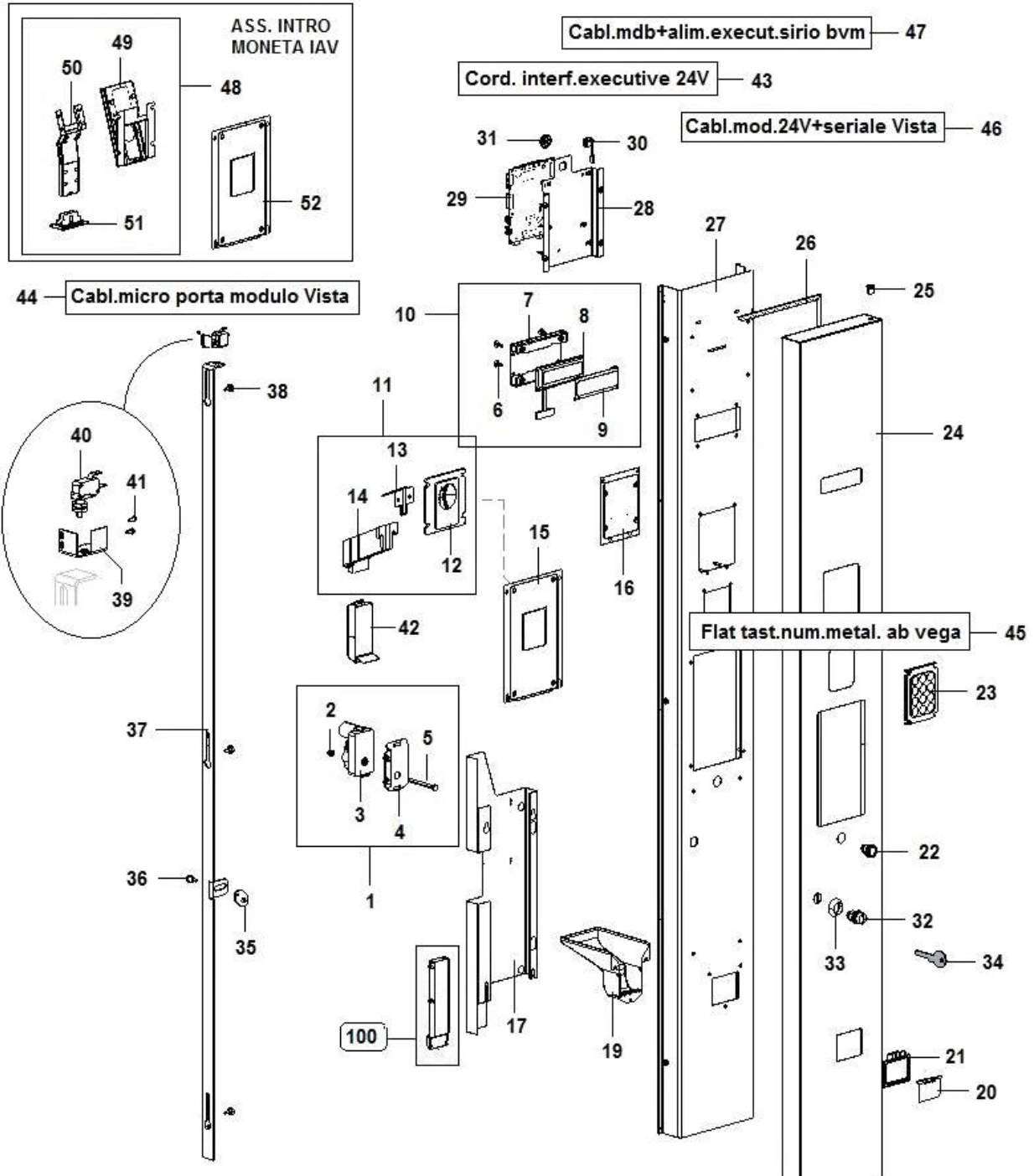


8

| Pos. | Referencia | Descripción |
|------|-------------|-------------------------------------|
| 0001 | 06025440 | ASS.GUIDA RECL.SX BV676/85 3# |
| 0002 | 06025540 | CONJ.GUÍA NON RECL.DER. BV676/85 3# |
| 0003 | 06025430 | CONJ.GUÍA NON RECL.IZQ. BV676/85 |
| 0004 | 06025530 | CONJ.GUÍA NON RECL.DER. BV676/85 |
| 0005 | 01472221 | GUÍA RECLINABLE IZQ.BV676/685 3# |
| 0006 | 01472021 | GUÍA RECLINABLE DER.BV676/685 3# |
| 0007 | 01471321 | GUÍA IZQ. NO RECLINABLE.BV676/85 |
| 0008 | 01471721 | GUÍA DER. NO RECLINABLE.BV676/85 |
| 0009 | 34110316 | tuerca autobl.5ma zin. |
| 0010 | 05116416 | rodamiento de cajon |
| 0011 | 12016116-01 | DRAWER WHEEL PIN |
| 0012 | 33085716 | distanc. plaqueta electron |

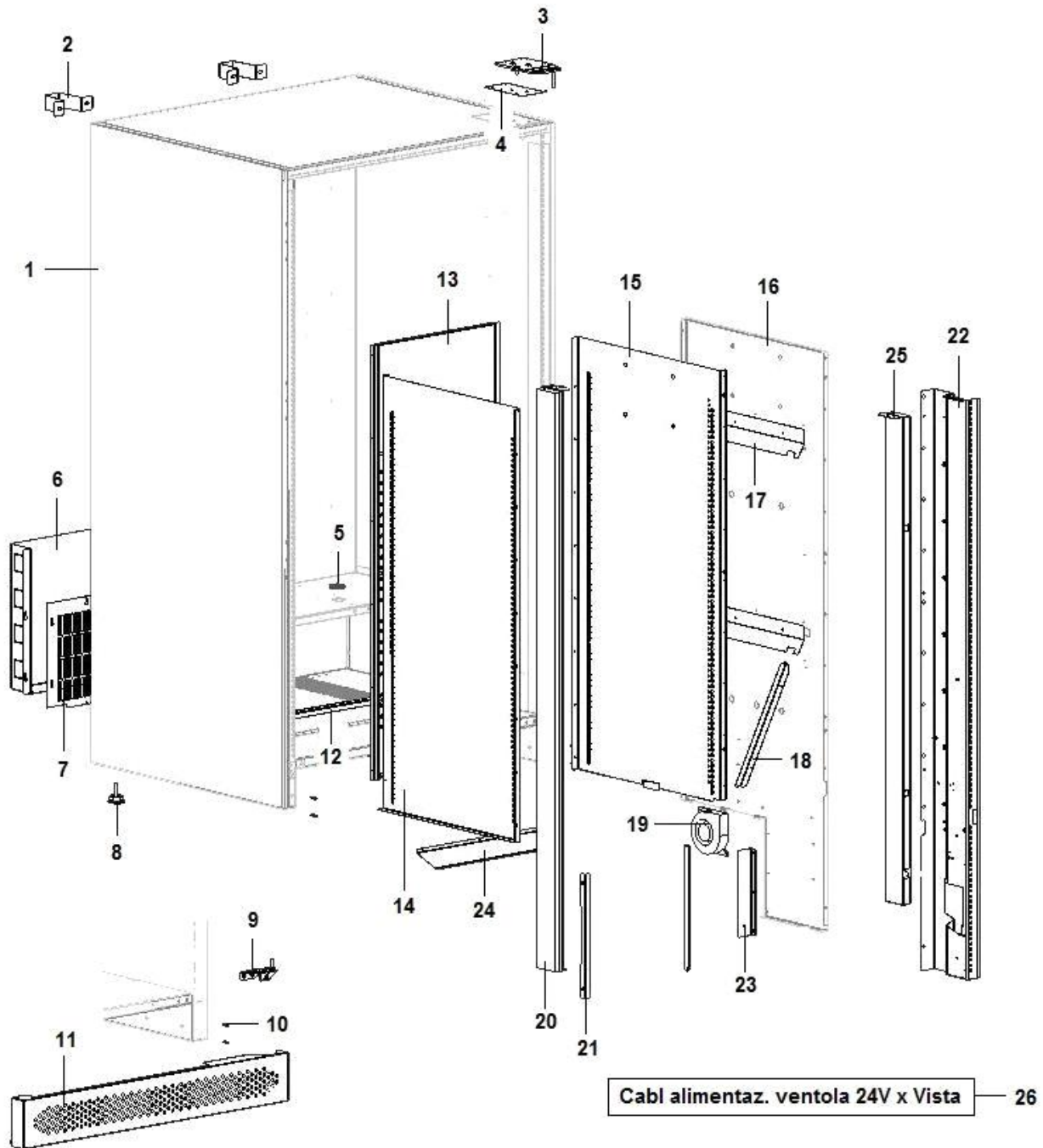


| Pos. | Referencia | Descripción |
|------|-------------|---------------------------------------|
| 0001 | 98139810-02 | PORTA VISTA MASTER |
| 0002 | 08039011 | magnetic inner door gasket. |
| 0003 | 23052816 | LED PIPE T8 L600 8W5000-5500# K |
| 0004 | 23052846 | LED PIPE T8 L600 8W5000-5500# K |
| 0005 | 21083066 | FERMAVETRO PORTA LED |
| 0006 | 21086161 | VISTA M/L horizontal glass fixing |
| 0007 | 21086121 | VISTA M/L horizontal glass fixing |
| 0008 | 21086151 | VISTA M/L horizontal glass fixing |
| 0009 | 21083076 | FERMAVETRO PORTA LED |
| 0010 | 21070011 | CERNIERA AD ALI L150 |
| 0011 | 06211111ZNC | LAMIERA AZIONAMENTO INTERR SICUR |
| 0012 | 22232412 | CABL.LED + RESISTENZA VETRO VISTA TOP |
| 0013 | 30298111 | ADESIVO WORDMARK VISTA 2015 |
| 0014 | 30298311 | ADESIVO PITTOGR. VETRINE 2015 |
| 0015 | 06211011P77 | LAMIERA BATTUTA PORTA |



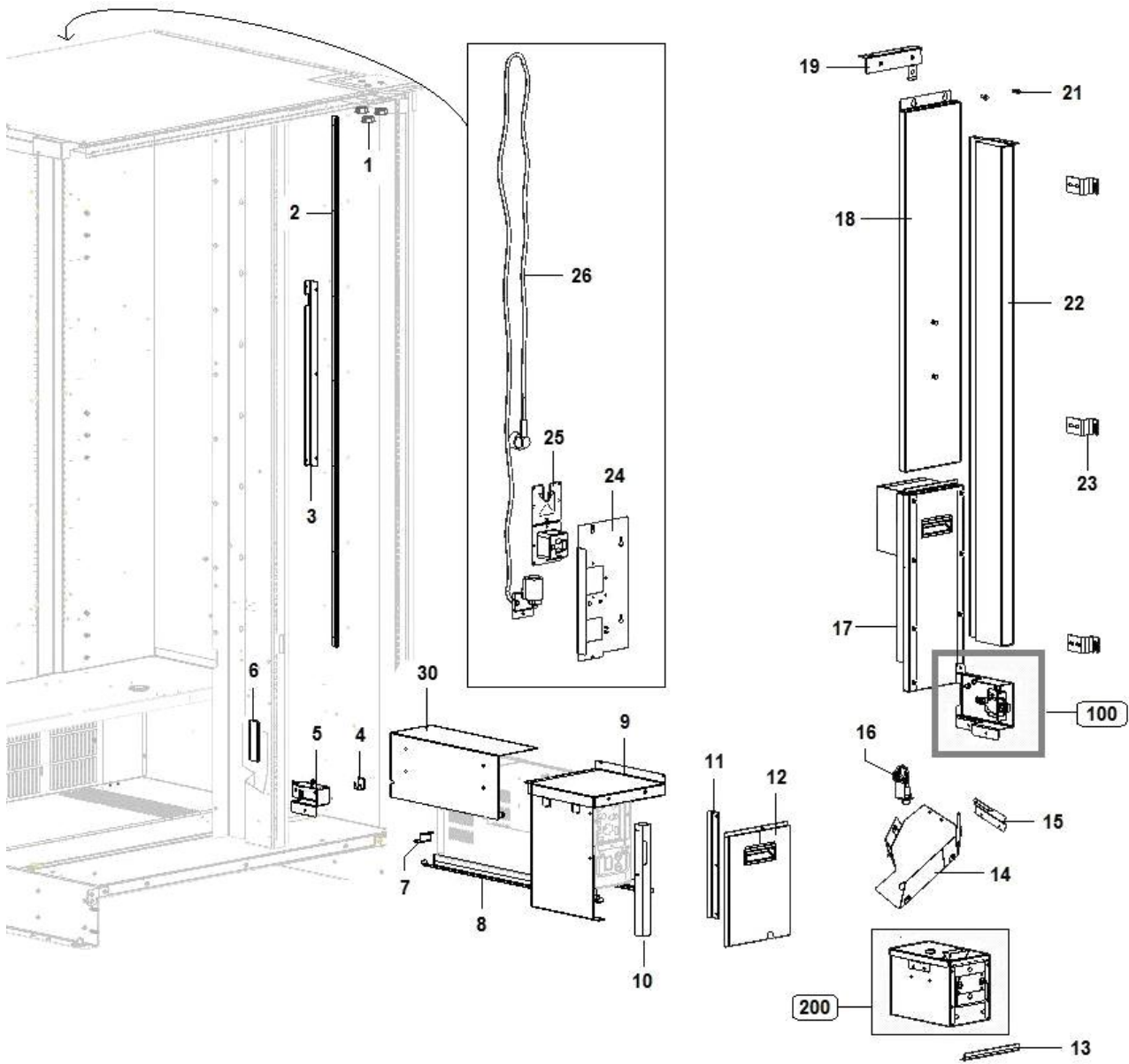
| Pos. | Referencia | Descripción |
|------|----------------|--|
| 0001 | 96094710 | ASS MOTORINO RENDIRESTO |
| 0002 | 34110416 | tuerca es.6MA |
| 0003 | 20031216-02 | CAVO RX-TX SENSORE L= 1000mm |
| 0004 | 06213311ZNC | Tangential fan cover |
| 0005 | 32128316 | M6X65 TE ZN screw |
| 0006 | 33066326 | CRCBSRE-3-01 boards spacer |
| 0007 | 01793031-02 | Display support plate |
| 0008 | 26047936 | NEW DISPLAY 16X2 CABLE 650MM |
| 0009 | 05232515M00 | cubre display transparente |
| 0010 | 01857240-01 | LEI1K display assy |
| 0011 | 05322240M09 | M.M. standard coin introduction assy |
| 0012 | 05322115M09 | INTERF.SISTEMA DI PAGAMENTO M.M. |
| 0013 | 01807121 | Plastic coin slide cover |
| 0014 | 05331511 | LEI2CUPS coin introduction slide |
| 0015 | 06213212 | ASS MODULO INTRO STD |
| 0016 | 06212712 | ASS MODULO LETTORE BANCONOTE |
| 0017 | 06215911-01ZNC | Tangential fan cover |
| 0019 | 05237115-02M09 | CONDOTTO RECUPERO MONETE |
| 0020 | 05083115-01M09 | PUERTA.RECUP MONEDAS NEGRO |
| 0021 | 05328115M09 | coin recovery frame black |
| 0022 | 26050026 | botón antivandalo LEI 400 |
| 0023 | 30100926 | Teclado m/s en metal |
| 0024 | 06212321L09 | CORNICE PORTA STD |
| 0025 | 05330016 | coin recovery frame black |
| 0026 | 08038913 | adhesivo 15x3 |
| 0027 | 06212212-01 | ASS TELAIO PORTA NO TOUCH STD |
| 0028 | 06213511ZNC | Tangential fan cover |
| 0029 | 26027336-04 | placa CPU SMT roja c/micro256K |
| 0030 | 26019482 | CONJ.BOTON DE SERVICIO SIN CAP |
| 0031 | 05232315M18 | pulsador rojo |
| 0032 | 21058936 | CERR.RIELDA MOD.538 S/PALANCA IZQ |
| 0033 | 19126511 | PROTECCIÓN CERRADURA |
| 0034 | 41029836 | llave serr. RIELDA para EM |
| 0035 | 01768211-03 | GANCHO CERRADURA BVM975 |
| 0036 | 12016116-01 | DRAWER WHEEL PIN |
| 0037 | 06213411ZNC | Tangential fan cover |
| 0038 | 19055531 | lock rod screw |
| 0039 | 06213711ZNC | Tangential fan cover |
| 0040 | 26002826 | MICROINT.CON BOTONES |
| 0041 | 32227116 | Blunt self-thread.screw2,9X6,5 |
| 0042 | 06280211ZNC | COIN INTRODUCTION SLIDING DUCT |
| 0043 | 22084222-01 | cable interfase ejecutivo |
| 0044 | 22235112 | CABL.MICRO PORTA MODULO VISTA |
| 0045 | 22170812 | FLAT TECLADO NUM.METAL.AB VEGA |
| 0046 | 22232122 | CABL.MODULO 24V+ SERIALE VISTA TOP IVS |
| 0047 | 22172312 | CABL.MDB+ ALIM.EXECUT.SIRIO BVM |
| 0048 | 06374610 | LEI700BVG coin introduct. assy |

| Pos. | Referencia | Descripción |
|------|-------------|--|
| 0049 | 01843520-01 | LEI700BVG coin introd. faceplate assy |
| 0050 | 06350312 | LEI700BVG COIN INTRODUCTION SLIDE ASSY |
| 0051 | 03213312-01 | Armored channel unloading assy |
| 0052 | 06350912 | ASS MOD EXT INTRO AV |



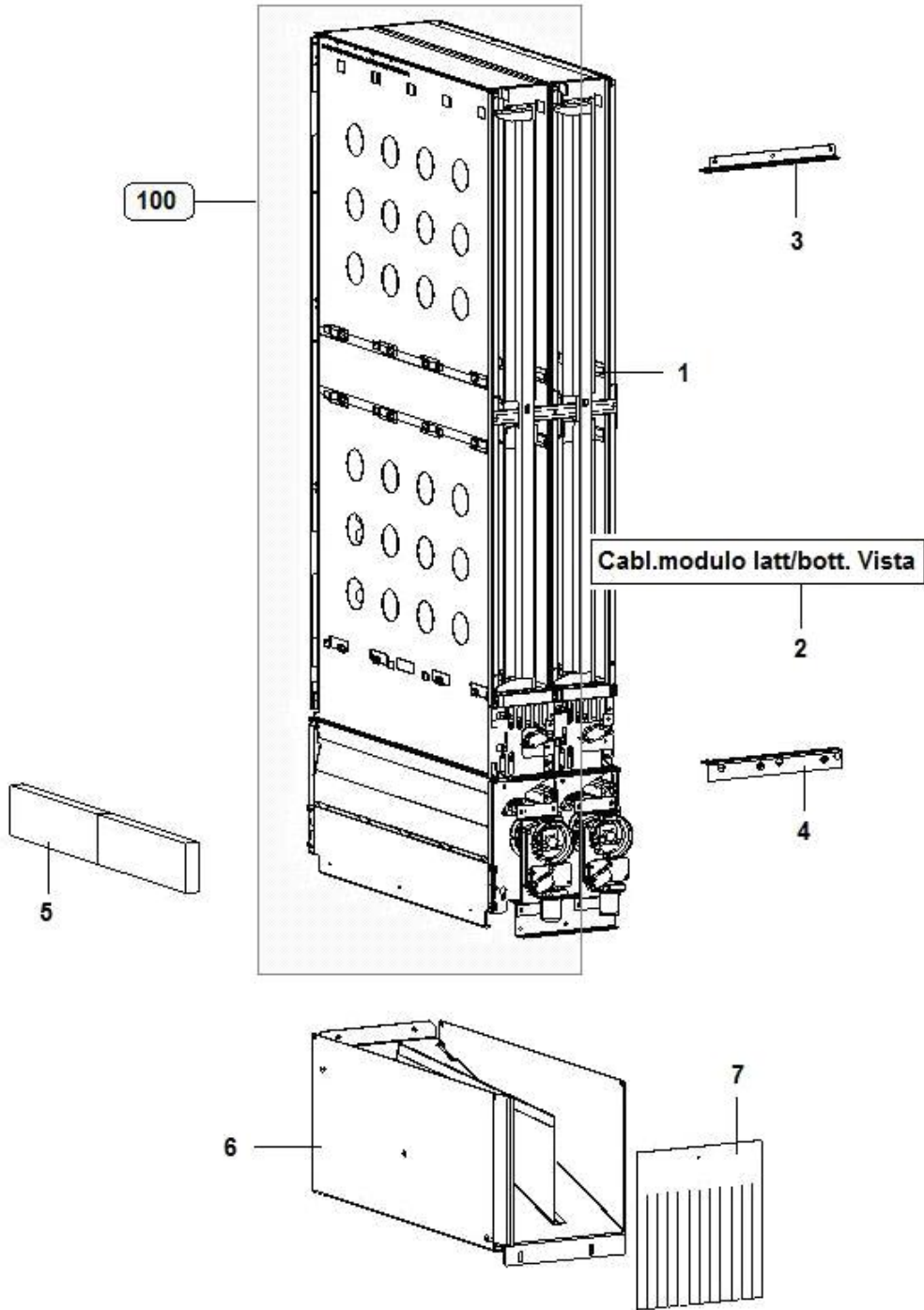
| Pos. | Referencia | Descripción |
|------|----------------|---|
| 0001 | 06210422-02P77 | COMPL CASSONE SCHIUMATO VISTA MASTER |
| 0002 | 01468421-02 | ESPACIADOR MUEBLE |
| 0003 | 06204632 | Hinge with welded pin |
| 0004 | 06346221P77 | DISTANZ. CARDINE VISTA MASTER SP.0,8 |
| 0005 | 23004096 | PASACABLE ØI.35 ØCALETT.39 GOM |
| 0006 | 06203121ZNC | CAMINO POST. VISTA MASTER |
| 0007 | 06203221ZNC | GRIGLIA POST. MOBILE VISTA MASTER |
| 0008 | 21057212 | conj.pie regul M10x40 BVM971 |
| 0009 | 06204812 | Hinge with welded pin |
| 0010 | 19051316 | perno |
| 0011 | 06203412-01P77 | VISTA L skirting board assy |
| 0012 | 06205812 | ASS COPERTURA CABLAGGIO |
| 0013 | 06203822 | ASS.CONV.ARIA VERT.VISTA MASTER |
| 0014 | 06202721P77 | SUPPORTO GUIDE SN VISTA MASTER |
| 0015 | 06202521P77 | SUPPORTO GUIDE DX VISTA MASTER |
| 0016 | 06210621-01ZNC | PANNELLO INTERMEDIO VISTA MASTER |
| 0017 | 06352211ZNC | DEFLET. COND. LATER. VISTA MASTER |
| 0018 | 06352221ZNC | ANGOLARE X PARAT. INTERM. VISTA |
| 0019 | 20050916 | VENTILATORE CENTRIFUGO BLAB1224MX |
| 0020 | 06206512-01 | ASS COPERTURA INCAVO LIFT |
| 0021 | 06266511ZNC | BVM 671 CPU board support |
| 0022 | 06227712-02 | ASS.NT PARATIA INTERMEDIA MODULO COLONN |
| 0023 | 06283311ZNC | SQUADRETTA APPOGGIO GRUPPO FRIGO |
| 0024 | 06204311ZNC | DEFLETTORE ARIA |
| 0025 | 06246422 | ASS COPERTURA INCAVO LIFT |
| 0026 | 22247012 | CABL.ALIMENTAZ.VENTOLA 24V X VISTA |

PARTI CASSONE - LATO MODULO BOTT. (1749)



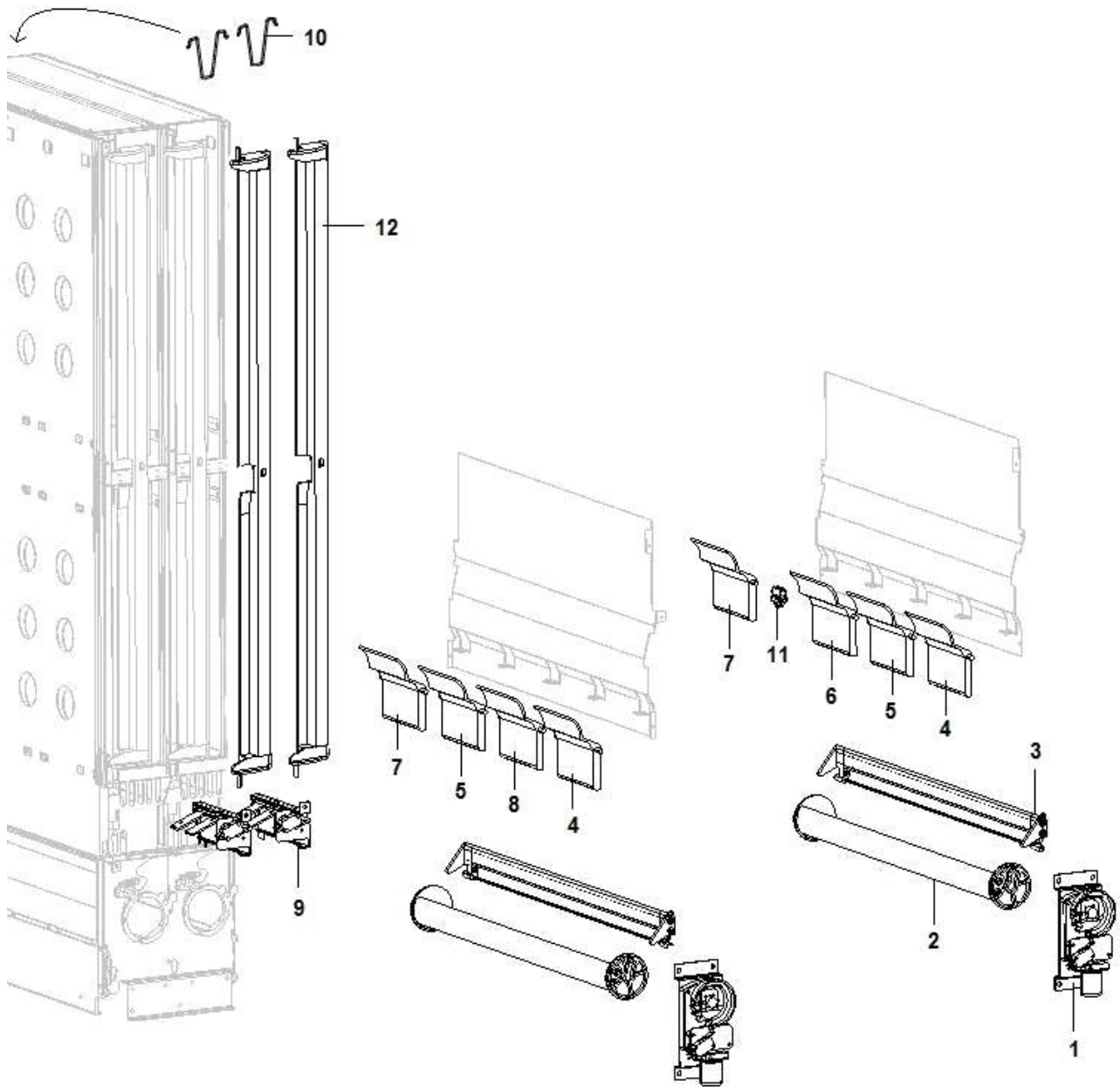
| Pos. | Referencia | Descripción |
|------|----------------|--|
| 0001 | 05302511M00 | TAPPO IN NYLON x LAMIERE |
| 0002 | 06266411ZNC | LAMIERA BATTUTA PANNELLO COIB SUP PLUS |
| 0003 | 06239311ZNC | SUPPORTO DX MODULO LATERALE |
| 0004 | 06208111ZNC | STAFFA CASSETTA MONETA |
| 0005 | 06206212 | ASS BLOCCO INFERIORE PORTA |
| 0006 | 05118291 | PROF.SOTTO ZOCCOLO x LAM.ISOLANTE |
| 0007 | 06125311 | FERMO SUPPORTO SCHEDE ELETTRONICHE |
| 0008 | 06207811ZNC | SUPPORTO CENTRALINA ELETTR |
| 0009 | 06207722 | ASS. RIPIANO PRECOOLING VISTA MASTER |
| 0010 | 06378012 | ASS.FERMA CAVI RIPIANO PREC.VISTA MASTER |
| 0011 | 06207511ZNC | STAFFA BATTUTA RIPIANO |
| 0012 | 06208022 | ASS PANNELLO COIB INF |
| 0013 | 06208311ZNC | STAFFA BATTUTA PORTA |
| 0014 | 06238612 | SCIVOLO MODULO |
| 0015 | 06208211ZNC | STAFFA SUPPORTO SCIVOLO PLAS |
| 0016 | 06267710CL | ASS SENSORE CADUTA MODULO BOTTIGLIE LATT |
| 0017 | 06240812-01 | COPERTURA MODULO VISTA MASTER L |
| 0018 | 06238212 | ASS COIB SUP |
| 0019 | 06241012 | ASS STAFFA FISSAGGIO PANN SUP |
| 0021 | 32123116 | White galv.5MAX14 w/r TE screw |
| 0022 | 06241612 | COPERTURA PARATIA INTERMEDIA PLUS |
| 0023 | 06206311 | BLOCCO SERRATURA |
| 0024 | 06199011ZNC | GRIGLIA FILTRO RETE |
| 0025 | 05325715M09 | SCATOLA CONNETTORI MASTER SLAVE |
| 0026 | 26026326 | filtre de red ataque rapido |
| 0030 | 06211611-01ZNC | SPORTELLLO COPERT. CENTRALINA |

ASS. MODULO BOTT/LATTINE (1750)

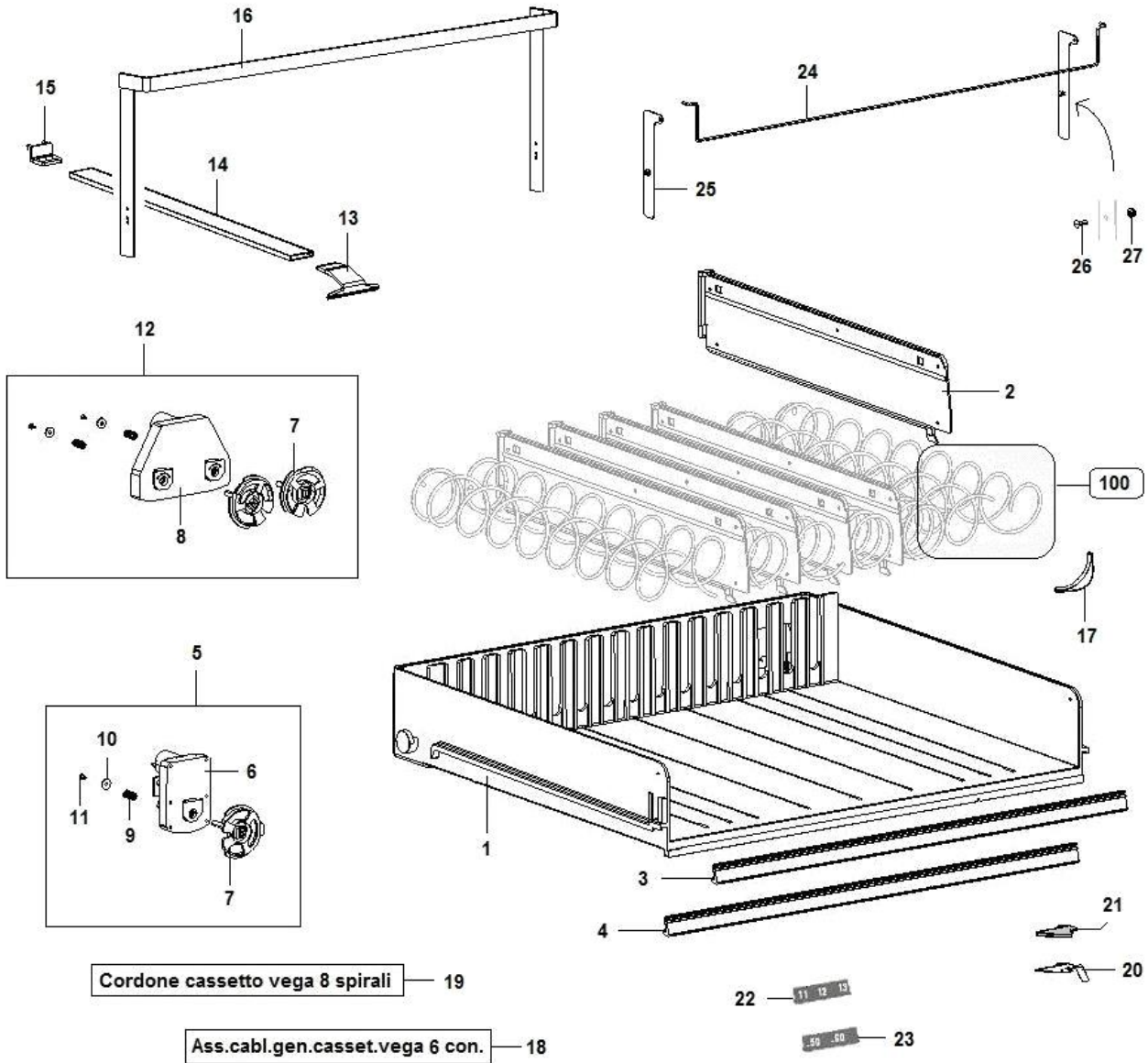


| Pos. | Referencia | Descripción |
|------|-------------|-----------------------------|
| 0001 | 96094810-01 | VISTA M/L Pull assy |
| 0002 | 22235412 | CABL.MODULO LATT/BOTT.VISTA |
| 0003 | 06239111ZNC | STAFFA SUP SPORTELLINO |
| 0004 | 06267412 | ASS INF SPORTELLINO MODULO |
| 0005 | 08014211 | V700LX3B sponge deflector |
| 0006 | 06241312-01 | SCIVOLO MODULO COLONNE |
| 0007 | 05332211 | CHIUSURA SCIVOLO |

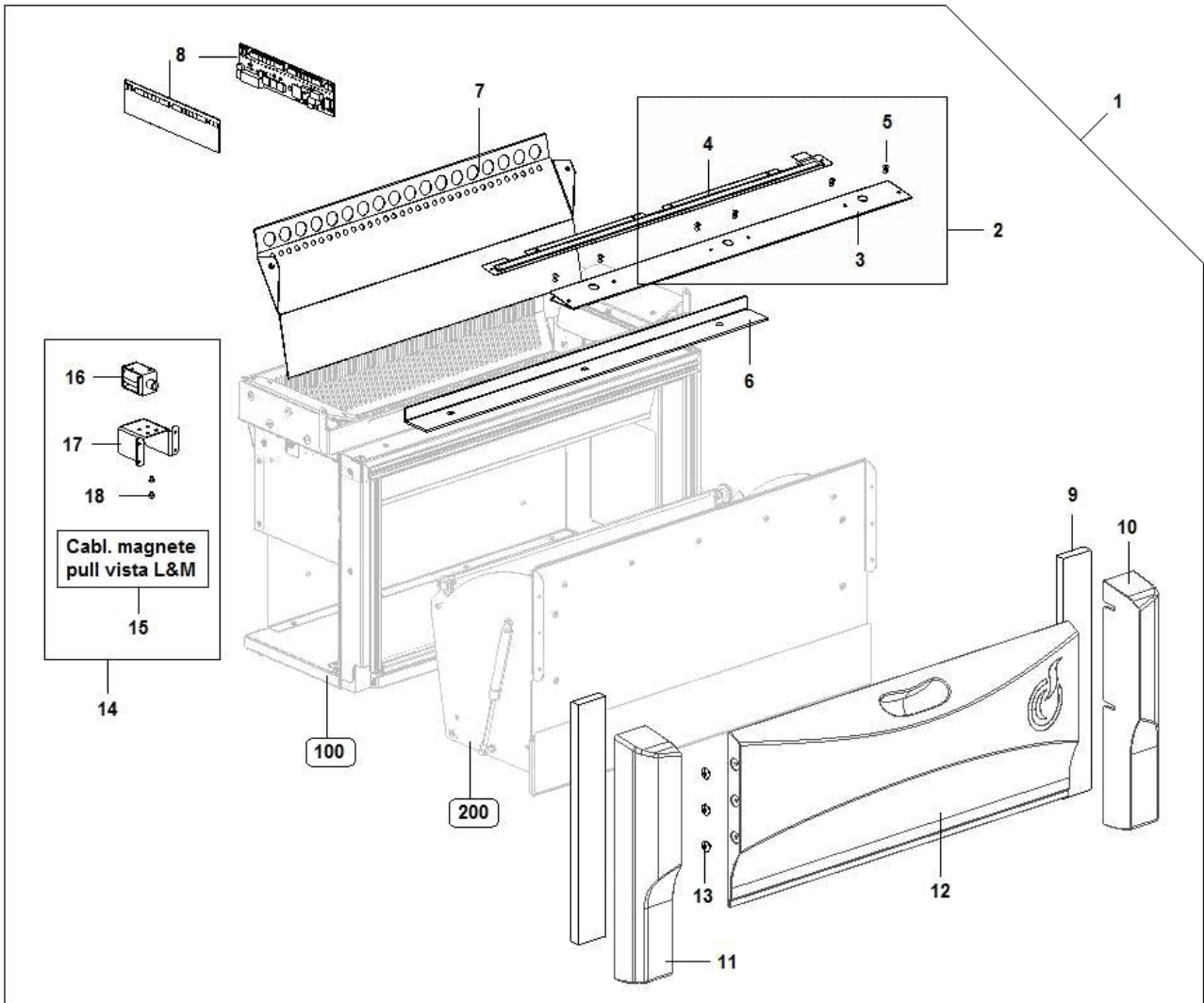
COMPONENTI MODULO BOTT/LATTINE (1751)



| Pos. | Referencia | Descripción |
|------|------------|---------------------------------------|
| 0001 | 43153386 | MK 4D 136717-2 vending motor assembly |
| 0002 | 43153396 | Power switch 0-1 |
| 0003 | 43153406 | Product exit support - 136650 |
| 0004 | 43153416 | Green shelf (n.1) assembly - 137228 |
| 0005 | 43153516 | Black shelf (n.2) assembly - 138295 |
| 0006 | 43153616 | Orange shelf (n.3) assembly - 137229 |
| 0007 | 43153716 | Power switch 0-1 |
| 0008 | 43153626 | Power switch 0-1 |
| 0009 | 43153816 | Sold out assembly - 136651 |
| 0010 | 43153916 | Power switch 0-1 |
| 0011 | 43153486 | Shelf hooking - PN 395781 |
| 0012 | 43153496 | Product shelf gate - PN 400845 |

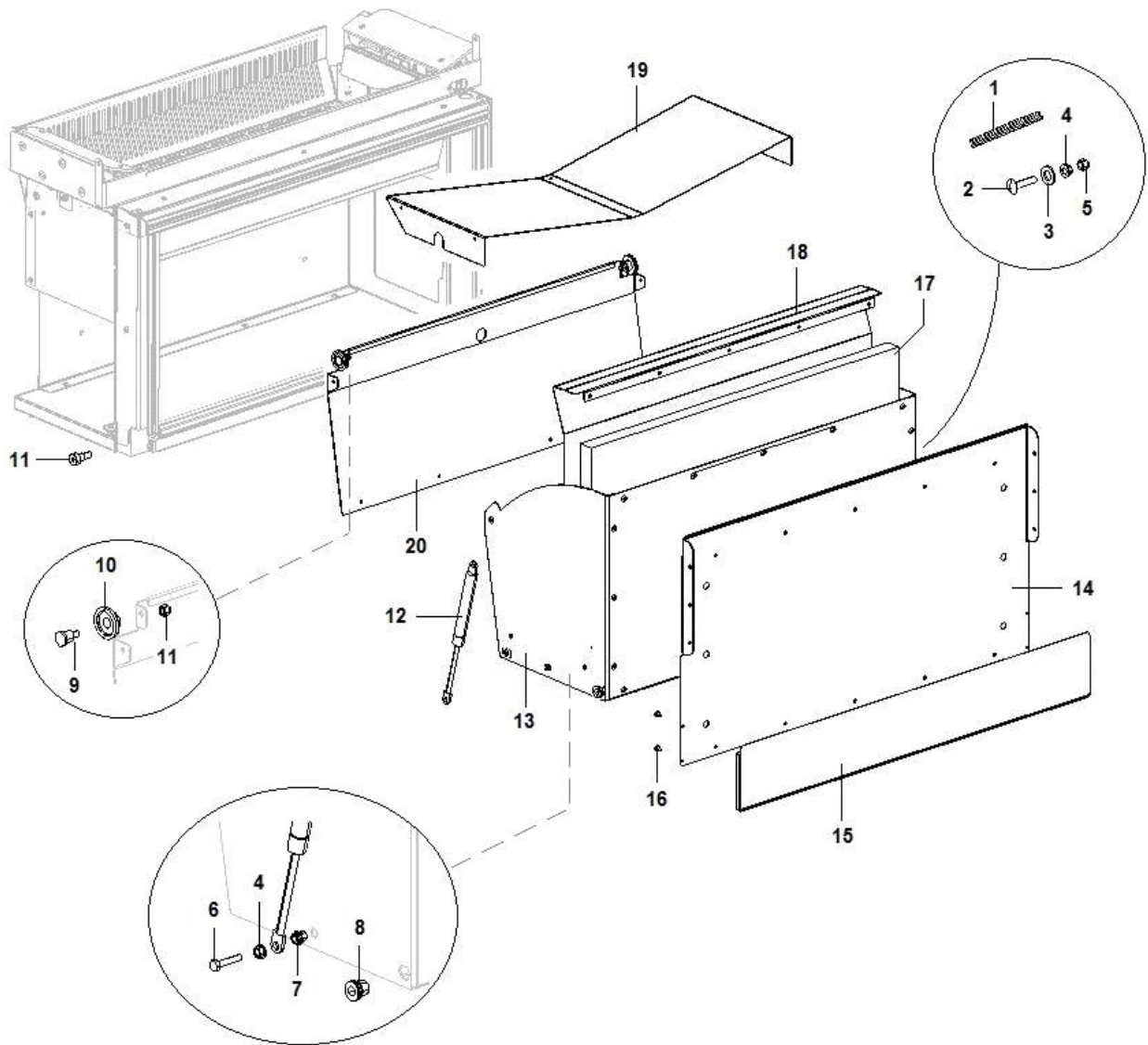


| Pos. | Referencia | Descripción |
|------|-------------|--|
| 0001 | 05124325-02 | cajon de plastico negro V850 |
| 0002 | 05340911M09 | LEI200 waste slide |
| 0003 | 21014211A02 | Black V850/7LUX aluminium label holder |
| 0004 | 21014311A02 | V850/7LUX stamped label holder |
| 0005 | 20017510CL | conj. motoreductor Vega |
| 0006 | 20016016 | motorreductor CJM-2407-75 |
| 0007 | 43048610 | conj.eje+ girante motorred vega |
| 0008 | 20017616 | MOTORID.ESPIRALES DOBLE |
| 0009 | 07018611 | resorte de eje motorreduct |
| 0010 | 35168616 | plain washer |
| 0011 | 32222826 | tornillo autorroscante 2,9 |
| 0012 | 20017910CL | motor doble para Vega |
| 0013 | 05127715 | parte frontal soporte bote |
| 0014 | 21012811L24 | tubular soporte botellas |
| 0015 | 05127815 | parte posterior soporte bo |
| 0016 | 01578840 | V700LUX bottle guide assy |
| 0017 | 05116516 | expulsor |
| 0018 | 22184010 | cordon general cajon vega 6con |
| 0019 | 22105612 | cordon de cajon |
| 0020 | 07034111 | MUELLE CIERRE CAJONES |
| 0021 | 05241211 | Stop tray spring thickness |
| 0022 | 30071621 | TARGUETA NUMERAC.CAJONES VEGA A-B |
| 0023 | 30093311 | TARGUETAS PRECIOS EURO |
| 0024 | 12047321-01 | BLOQUEA BOCADILLOS |
| 0025 | 06098911 | ESTRIBO SOP.CIERRE LATAS |
| 0026 | 00109356 | TORNILLO ESPECIAL |
| 0027 | 34115216 | M3 hex. nut with washer |



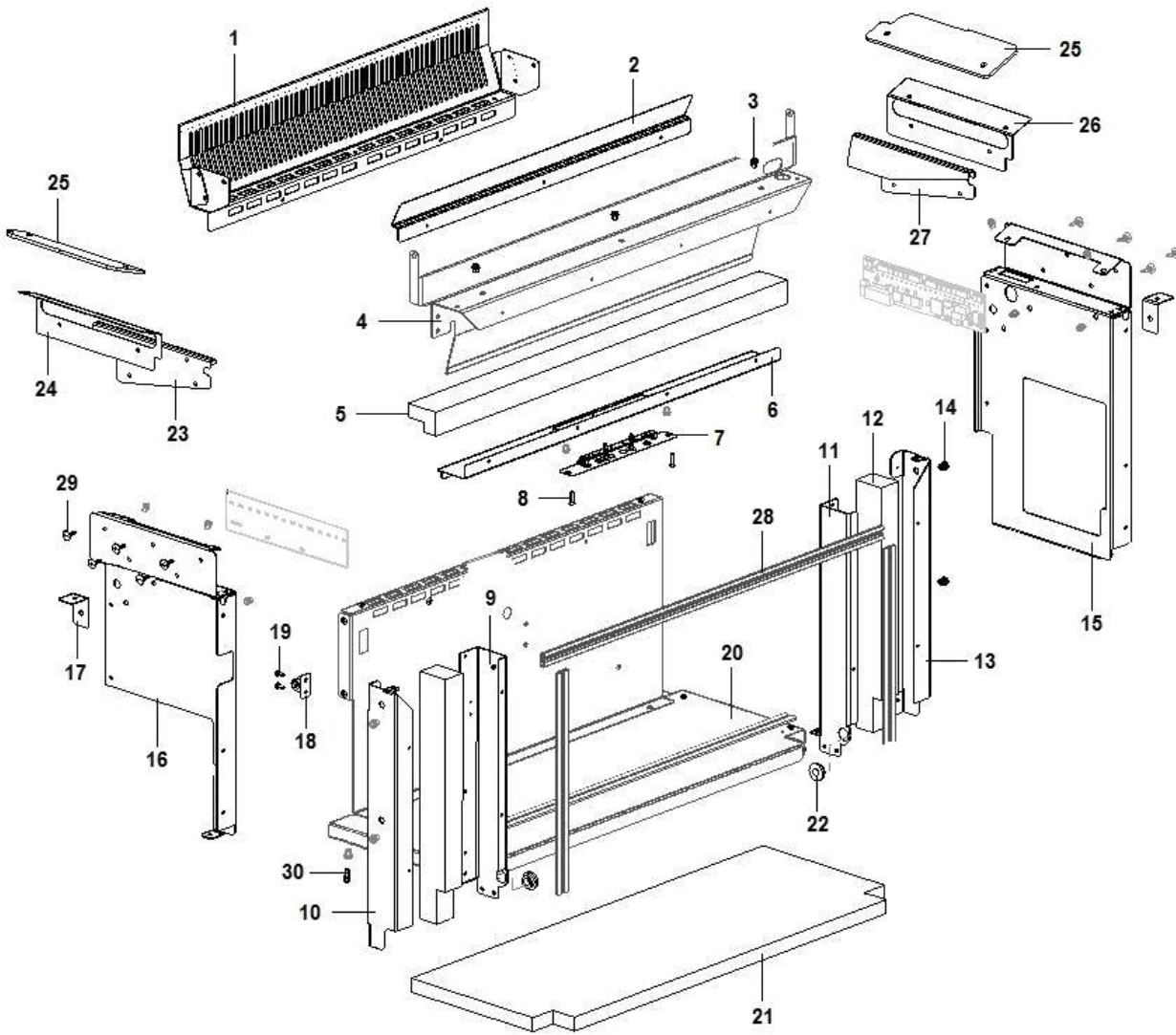
| Pos. | Referencia | Descripción |
|------|----------------|---|
| 0001 | 98139210-01 | VISTA M/L Pull assy |
| 0002 | 43152110 | CONJ.RESISTENCIA RESCALD. C/LAM.COBERT.P |
| 0003 | 06089611-02P77 | LAM.COPERTURA PULL |
| 0004 | 06127212 | CONJ. RESISTENCIA CALENTADOR |
| 0005 | 33050336 | RIV.ALU.NERO 4X8 |
| 0006 | 08038811 | Monaco magnetic gasket |
| 0007 | 06202012 | ASS. PARATIA ANTIVANDALO |
| 0008 | 26085820 | ASS.SENSORI VISTA MASTER+ COLONNE KITSCP6 |
| 0009 | 17384411 | COIB. FIANCHETTI PULL VISTA MATER |
| 0010 | 05335115M09 | FRONTALE ESTETICO DX PULL |
| 0011 | 05335215M09 | FRONTALE ESTETICO SN PULL |
| 0012 | 05276815-01M09 | FRONTAL ESTETICO PULL |
| 0013 | 33072416L09 | ROBLÓN ACC.MG.TXL.NEGRO4,8X11 |
| 0014 | 06090310-02 | Pull electromagnet assy |
| 0015 | 22213012 | CABL.MAGNETE PULL VISTA L&M |
| 0016 | 20038616-01 | Pull electromagnet |
| 0017 | 06061111-01 | LAMIERA SUPP.ELETTROMAGNETE |
| 0018 | 32060116 | tornillo m4x5 |

CASSETTO PULL - PRELIEVO PRODOTTI (1754)

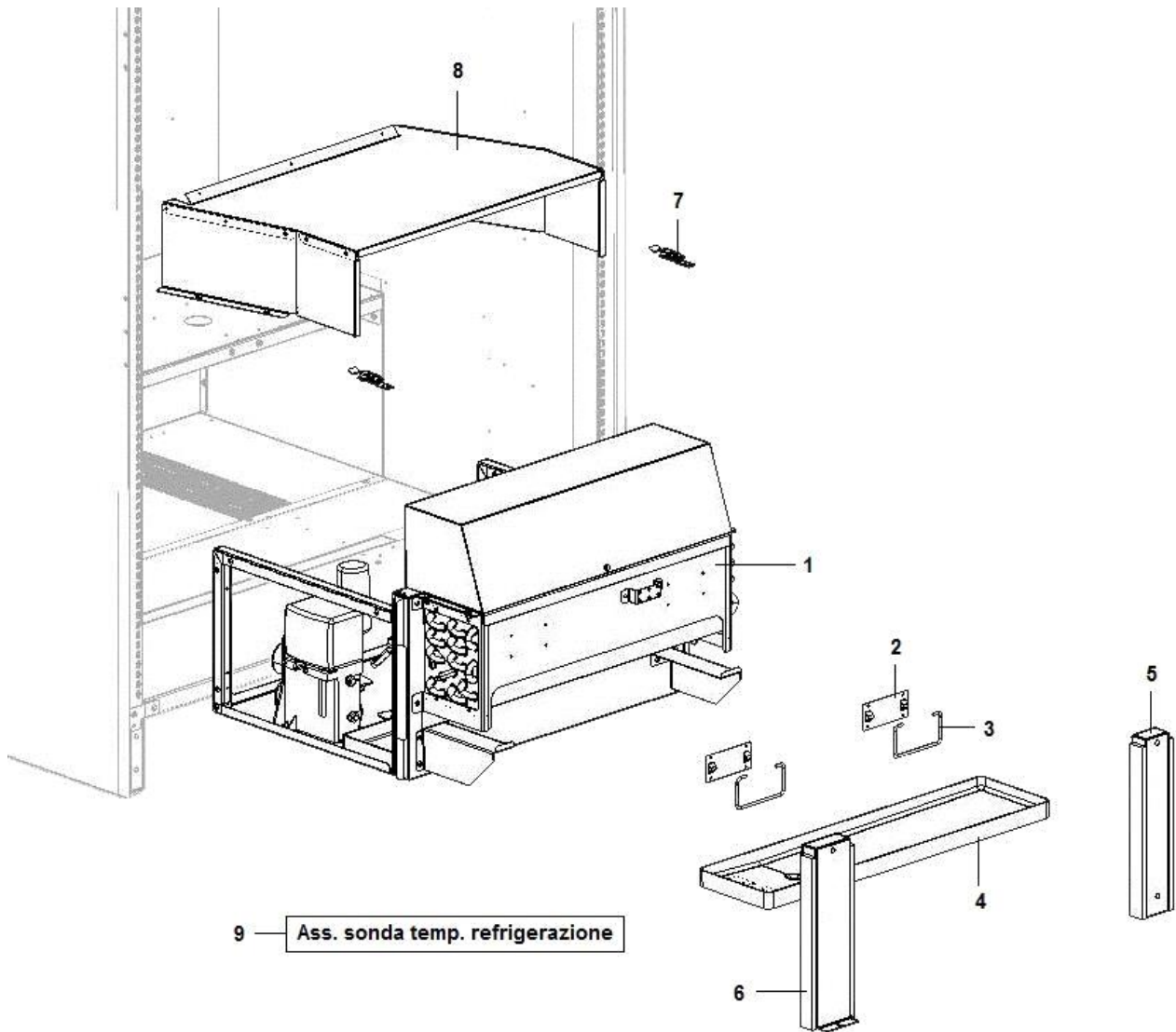


| Pos. | Referencia | Descripción |
|------|-------------|--------------------------------|
| 0001 | 07051011 | muelle para piston |
| 0002 | 32348316 | VITE TT QUADR.ST.UNI5732 M5x25 |
| 0003 | 35155516 | washer |
| 0004 | 34115416 | tuerca con arandela m5 |
| 0005 | 34110316 | tuerca autobl.5ma zin. |
| 0006 | 32090916 | tornillo te m5x25 |
| 0007 | 34118416-01 | exagonal screwed insert M5 |
| 0008 | 34118616 | EXAGONAL SCREWED INSERT M8 |
| 0009 | 12016116-01 | DRAWER WHEEL PIN |
| 0010 | 05116416 | rodamiento de cajon |
| 0011 | 32348116 | Screw ISO 7379 M8X10 |
| 0012 | 12062616 | BV952 VAPSINT gas spring |
| 0013 | 06202212 | VISTA M/L Pull assy |
| 0014 | 06201911 | LAMIERA FRONTALE PULL |
| 0015 | 06201711P77 | COPERTURA FRONTALE INFERIORE |
| 0016 | 32222756 | tornillo autorroscante 3,9 |
| 0017 | 17384811 | COIBENTANTE ANTERIORE |
| 0018 | 06201611P77 | CARTER COIBENTANTE ANTERIORE |
| 0019 | 06198111P77 | BASAMENTO INCLINATO PULL |
| 0020 | 06201811P77 | LAMIERA POST. VANO |

COMPONENTI INTERNO VANO (1755)

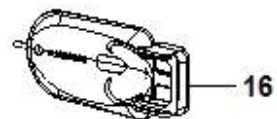
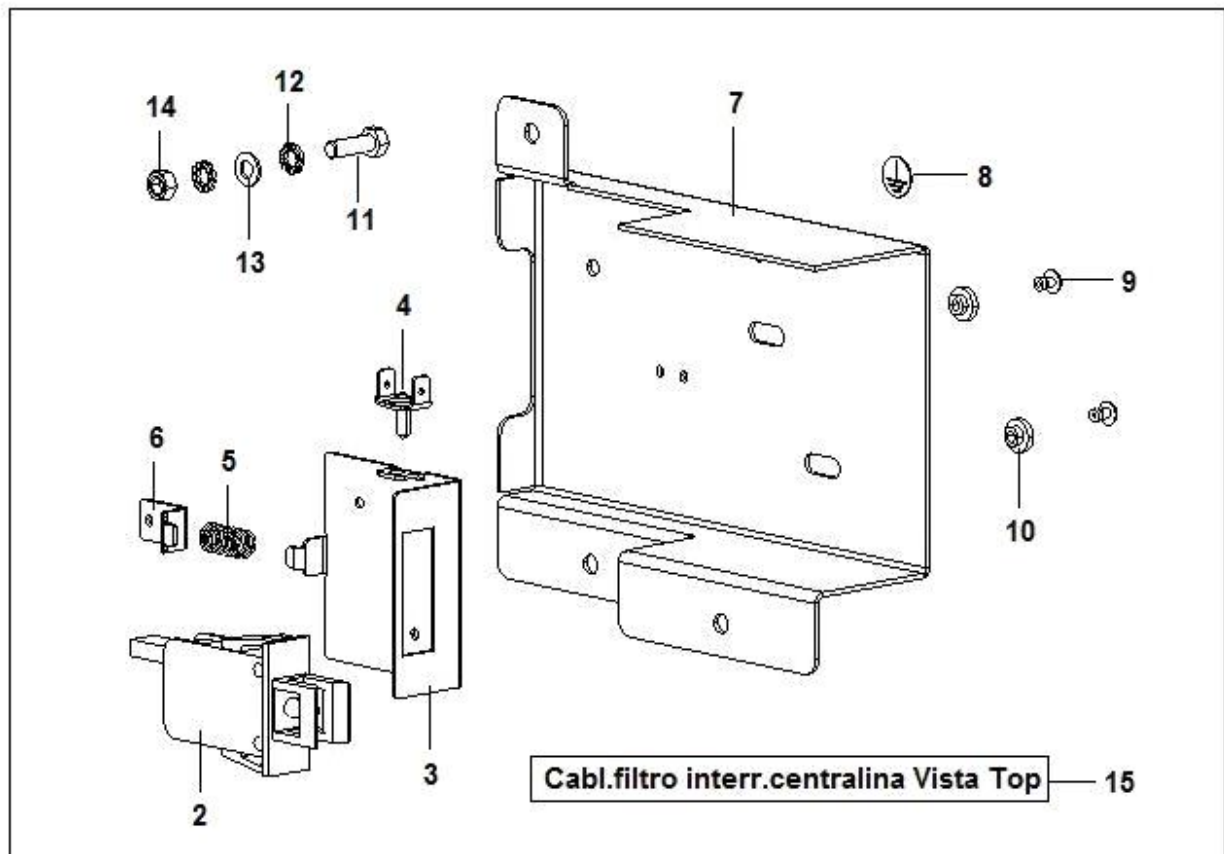


| Pos. | Referencia | Descripción |
|------|-------------|---------------------------------|
| 0001 | 06199711P77 | RINFORZO CARDINE POSTERIORE |
| 0002 | 06200311P77 | BLOCCO PARATIA ANTIV. |
| 0003 | 34118316 | Hexag. threaded insert M4 |
| 0004 | 06199811P77 | TRAVERSA SUPERIORE STRUTT. PULL |
| 0005 | 17384611 | COIBENTANTE TRAVERSA SUPERIORE |
| 0006 | 06199911P77 | RINFORZO INFERIORE TRAVERSA |
| 0007 | 06200512 | VISTA M/L Pull assy |
| 0008 | 32070816 | TSP 4MA X 16 Zn screw |
| 0009 | 06201011P77 | SUPPORTO LATER. INTERNO SN |
| 0010 | 06200911P77 | SUPPORTO LATER. ESTERNO SN |
| 0011 | 06199511P77 | SUPPORTO LATER. INTERNO DX |
| 0012 | 17384711 | COIBENTANTE SPALLA LATERALE |
| 0013 | 06199611P77 | SUPPORTO LATER. ESTERNO DX |
| 0014 | 34118416-01 | exagonal screwed insert M5 |
| 0015 | 06200011 | SUPPORTO SENSORE DX |
| 0016 | 06200811 | SUPPORTO SENSORE SN |
| 0017 | 06201111 | ANGOLARE RINFORZO SENSORI |
| 0018 | 05258815 | SUPP.MOLLA A GAS VAPSINT BV958 |
| 0019 | 32227256 | tornillo autorroscante 3,9 |
| 0020 | 06198212 | ASS. STRUTTURA BASAM. PULL |
| 0021 | 17384511 | COIB. INFERIORE PULL |
| 0022 | 19138616 | BOCCOLA IGUS MFM-1016-08 |
| 0023 | 06200711P77 | COVER PROTEZ. FIANCO SN |
| 0024 | 06200411P77 | COVER COPRI SENSORE SN |
| 0025 | 05328511 | SCIVOLO PULL MASTER |
| 0026 | 06200111P77 | COVER COPRI SENSORE DX |
| 0027 | 06200211P77 | COVER PROTEZ. FIANCO DX |
| 0028 | 08038913 | adhesivo 15x3 |
| 0029 | 33066326 | CRCBSRE-3-01 boards spacer |
| 0030 | 19056011 | perno fijac. grupo |

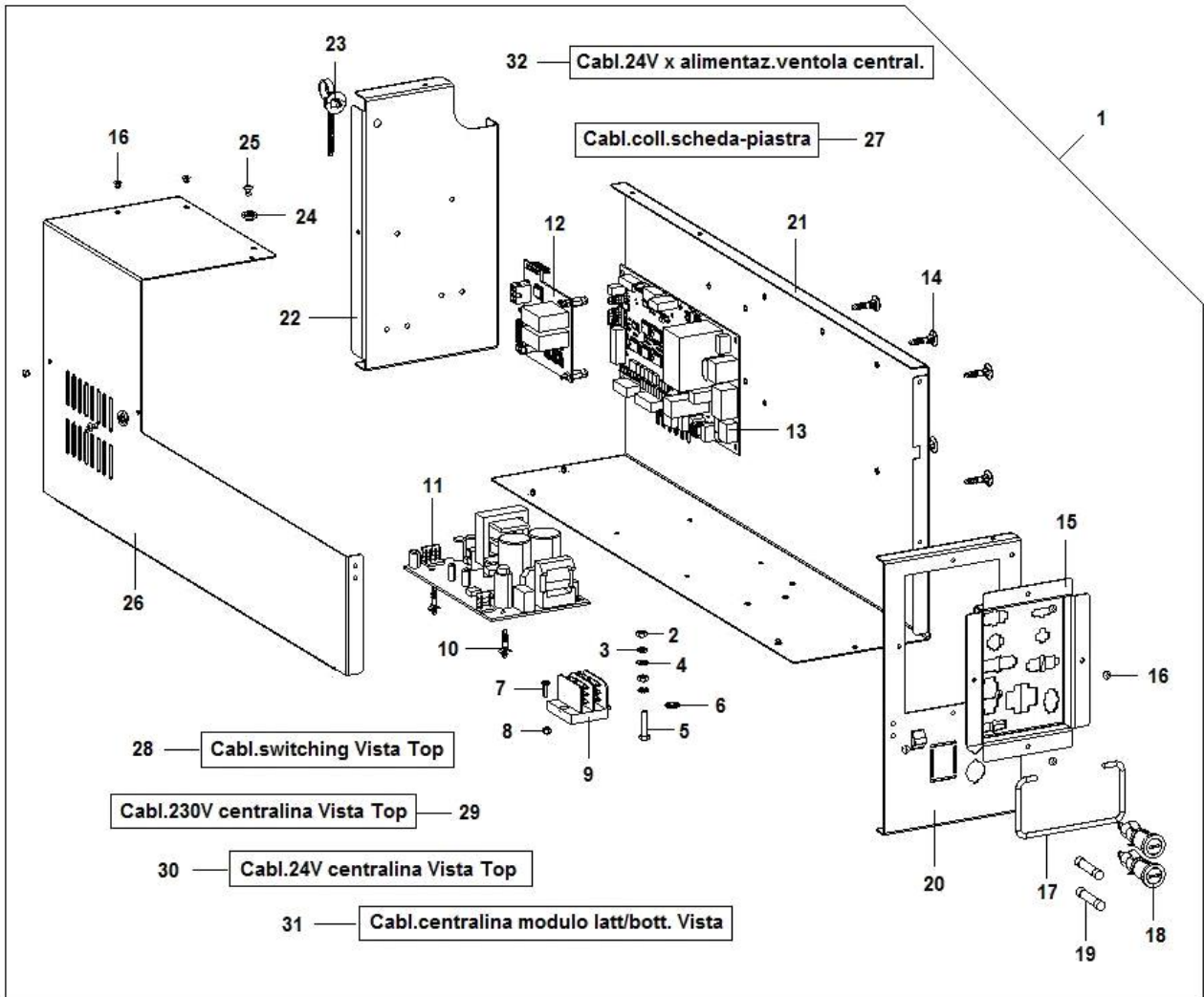


| Pos. | Referencia | Descripción |
|------|----------------|---|
| 0001 | 90028620 | ASS.GR FRIGO VISTA MASTER PLUS 3VENTOLE |
| 0002 | 06091911-01 | STAFFA FISS.MANIGLIA |
| 0003 | 12028011 | coin box handle |
| 0004 | 05245615-01M09 | vasca desperdicios liquidos |
| 0005 | 06205012 | ASS. PANN. COIB. DX GRUPPO FRIGO |
| 0006 | 06205212 | ASS. PANN. COIB. SX GRUPPO FRIGO |
| 0007 | 21057816 | Quick-closing 50mm |
| 0008 | 06204222 | ASS. CONVOGL. ARIA VISTA MASTER |
| 0009 | 26077612 | CONJ.SONDA TEMP.REFRIGERACIÓN |

ASS. INTERRUOTTORE DI SICUREZZA (1757)

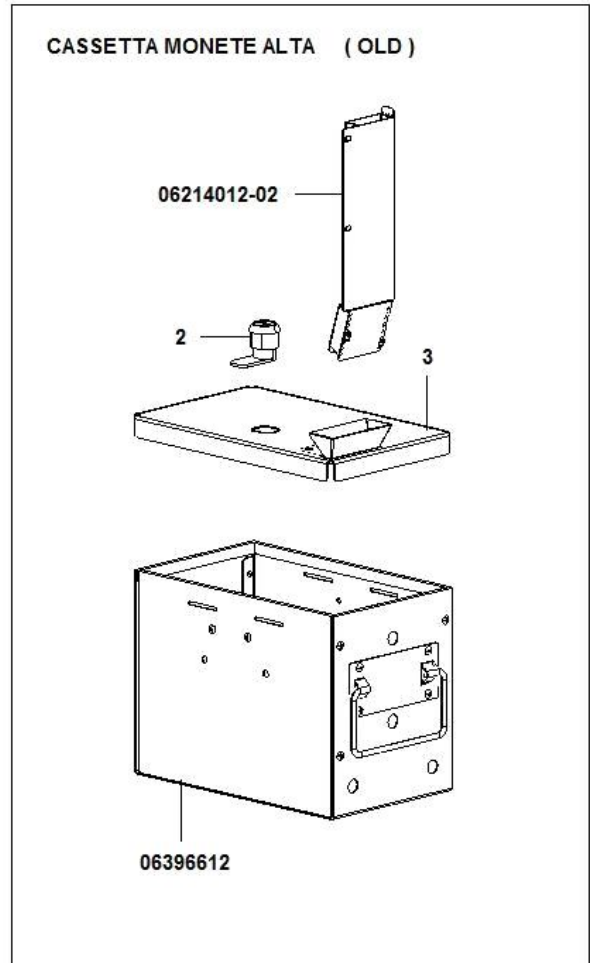
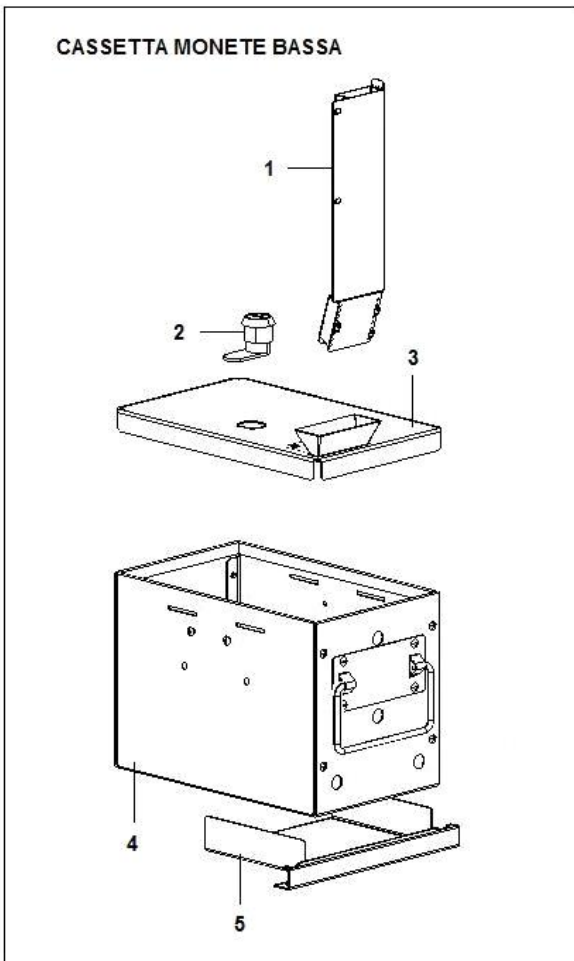


| Pos. | Referencia | Descripción |
|------|----------------|--|
| 0001 | 06207112-02 | ASS.INTERRUT.DI SICUREZZA VISTA MASTER L |
| 0002 | 26016726 | interr.de segurid. XTD22AZ |
| 0003 | 06206911ZNC | SUPPORTO MOBILE INTERRUTTORE |
| 0004 | 23023716 | LINGUETTA MASCHIO CON RIVETTO |
| 0005 | 07018611 | resorte de eje motorreduct |
| 0006 | 06096811-01ZNC | STAFFA PER MOLLA INTERRUTTORE |
| 0007 | 06206821ZNC | CARTER INTERR. SICUR. VISTA MASTER |
| 0008 | 30077911 | tarjeta puesta a tierra |
| 0009 | 33070266 | RIVETTO 3x8 ALL. |
| 0010 | 19054411 | arandela de remache |
| 0011 | 32090526 | tornillo T.E. M5x16 |
| 0012 | 35160416 | arandela dent.d.5,2 br. |
| 0013 | 35155326 | arandela plana d, 5,3 |
| 0014 | 34102926 | tuerca es.5MA |
| 0015 | 22231512 | CABL.FILTRO INTERR.CENTRALINA VISTA TOP |
| 0016 | 05301915M84 | LLAVE DE SERVICIO VERDE P367C |



| Pos. | Referencia | Descripción |
|------|----------------|--|
| 0001 | 06211822-01CL | C/O CENTRALINA MASTER PLUS |
| 0002 | 34102826 | TUERCA ES. 4MA OT. |
| 0003 | 35160316 | arandela dent.d.4,2 |
| 0004 | 35155226 | plain washer |
| 0005 | 32055726 | allen screw 4max* 20 |
| 0006 | 30077911 | tarjeta puesta a tierra |
| 0007 | 32025516 | tornillo tc m3x10 |
| 0008 | 34110116 | tuerca autobl.3ma zin. |
| 0009 | 23038816 | BVM plugs assy |
| 0010 | 33072046 | distanciales M/F M3 L.7,9 |
| 0011 | 26048356-02 | aliment.switch 24V 120W/360W |
| 0012 | 26060316-01 | SCHED.INTERF.POTENZA LATT/BOT.SFO427Bx00 |
| 0013 | 26081716 | PLACA VISTA MASTER EXPANDIBLE SFO652BB |
| 0014 | 33066316 | distanc. plaqueta electron |
| 0015 | 06211711ZNC | SCATOLINA CONNET. MINI-FIT VISTA MASTER |
| 0016 | 33050476 | ROBLÓN ACERO. 3,2X6 |
| 0017 | 12028011 | coin box handle |
| 0018 | 23017316 | portafusible a resorte 6,3 |
| 0019 | 23014916 | fusible 10 amp. |
| 0020 | 06211211-01ZNC | LAMIERA FRONTALE CENTRALINA |
| 0021 | 06211311-01ZNC | LAMIERA LATERALE DX |
| 0022 | 06211511-02ZNC | LAMIERA POST CENTRALINA |
| 0023 | 23018416 | faston con enganche |
| 0024 | 19054421 | BOCCOLA X RIVETTO Ø12 |
| 0025 | 33070266 | RIVETTO 3x8 ALL. |
| 0026 | 06211411-01ZNC | LAMIERA LATERALE SN |
| 0027 | 22197212 | CABL.CONEXIÓN PLACA-PLANCHA |
| 0028 | 22231412 | CABL.SWITCHING VISTA TOP |
| 0029 | 22231612 | CABL.230V CENTRALINA VISTA TOP |
| 0030 | 22231812 | CABL.24V CENTRALINA VISTA TOP |
| 0031 | 22235312 | CABL.CENTRALINA MODULO LATT/BOTT.VISTA |
| 0032 | 22246912 | CABL.24V X ALIMENTAZ.VENTOLA CENTRAL |

CASSETTA MONETE VISTA PLUS (1891)



| Pos. | Referencia | Descripción |
|------|-------------|---|
| 0001 | 06214022 | ASS CANALINA MONETExCASS.MONETE BASSA |
| 0002 | 21011416 | cerradura rápida |
| 0003 | 06280112-01 | COPERCHIO CASSETTA MONETA VISTA |
| 0004 | 43153510 | ASS. CASSETTA MONETE BASSA VISTA MASTER |
| 0005 | 06208321ZNC | STAFFA BLOCCO CASSETTA MONETA |